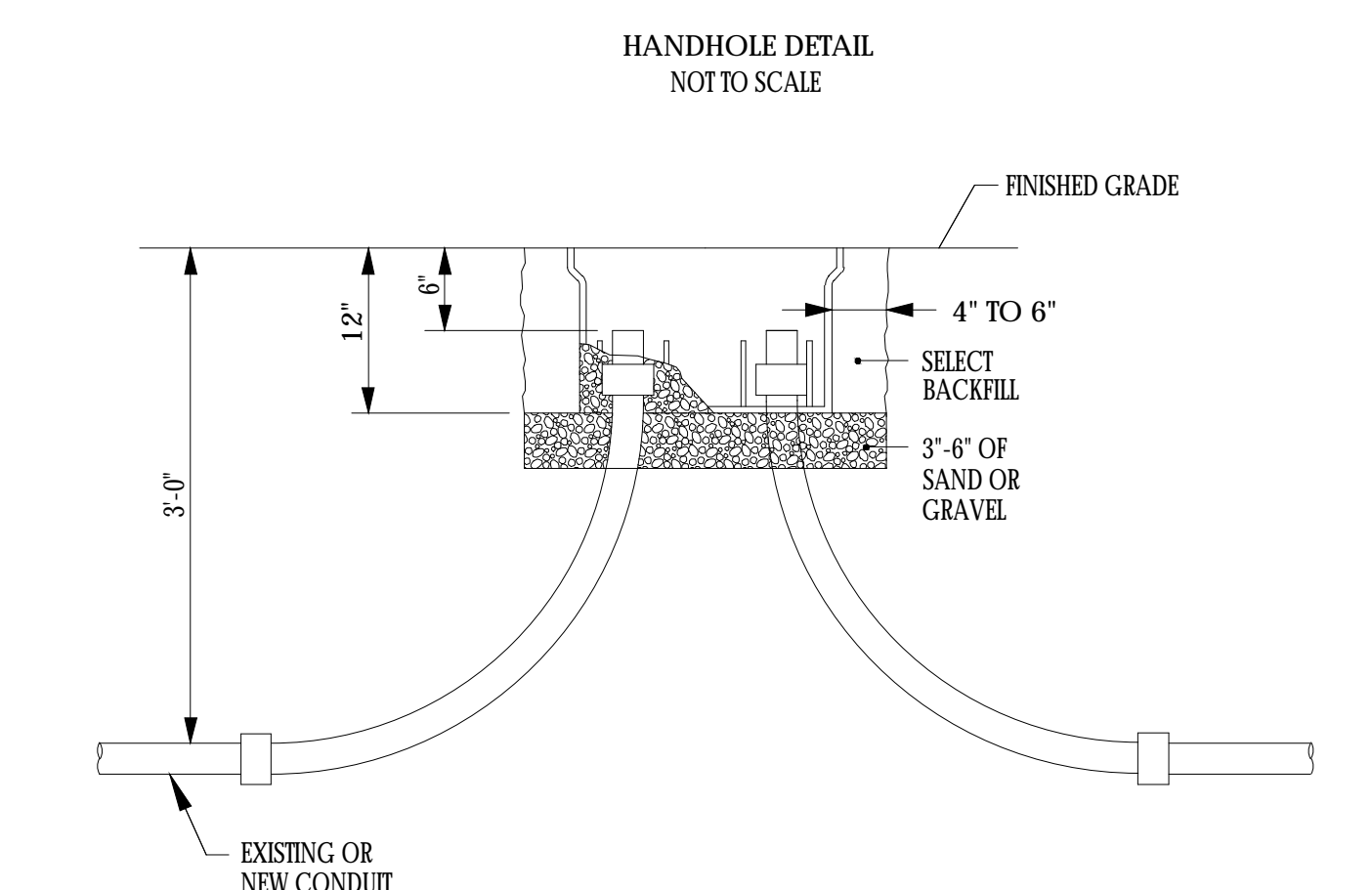
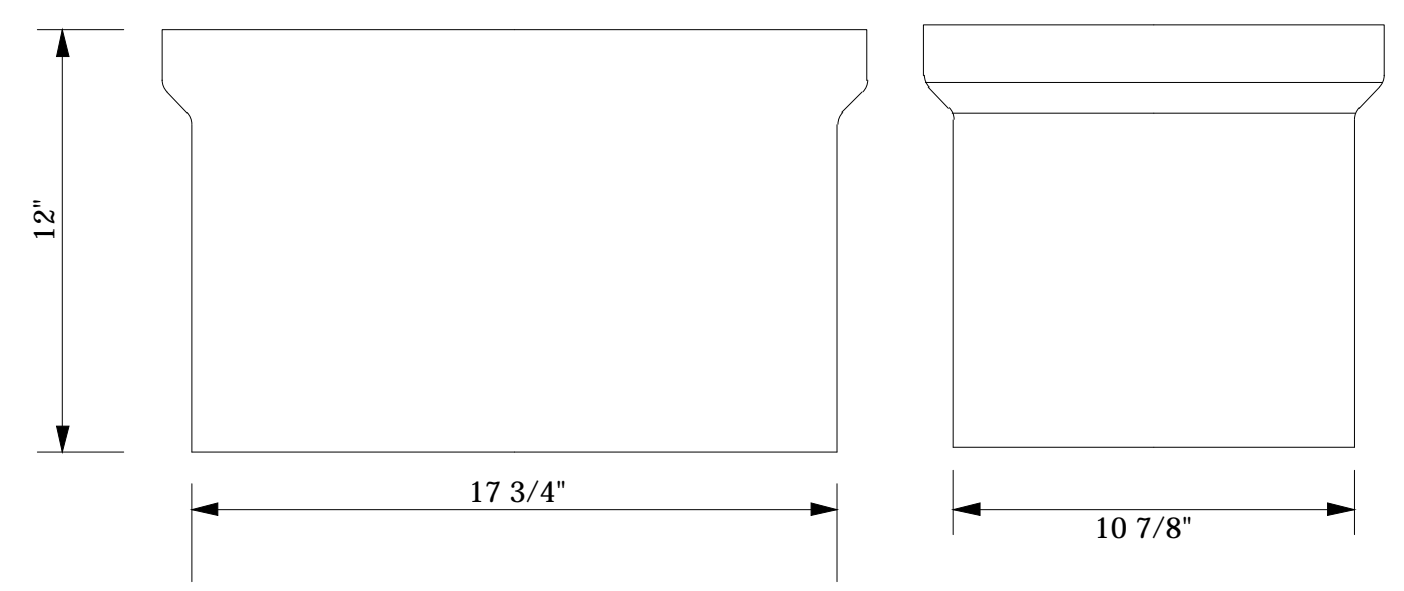
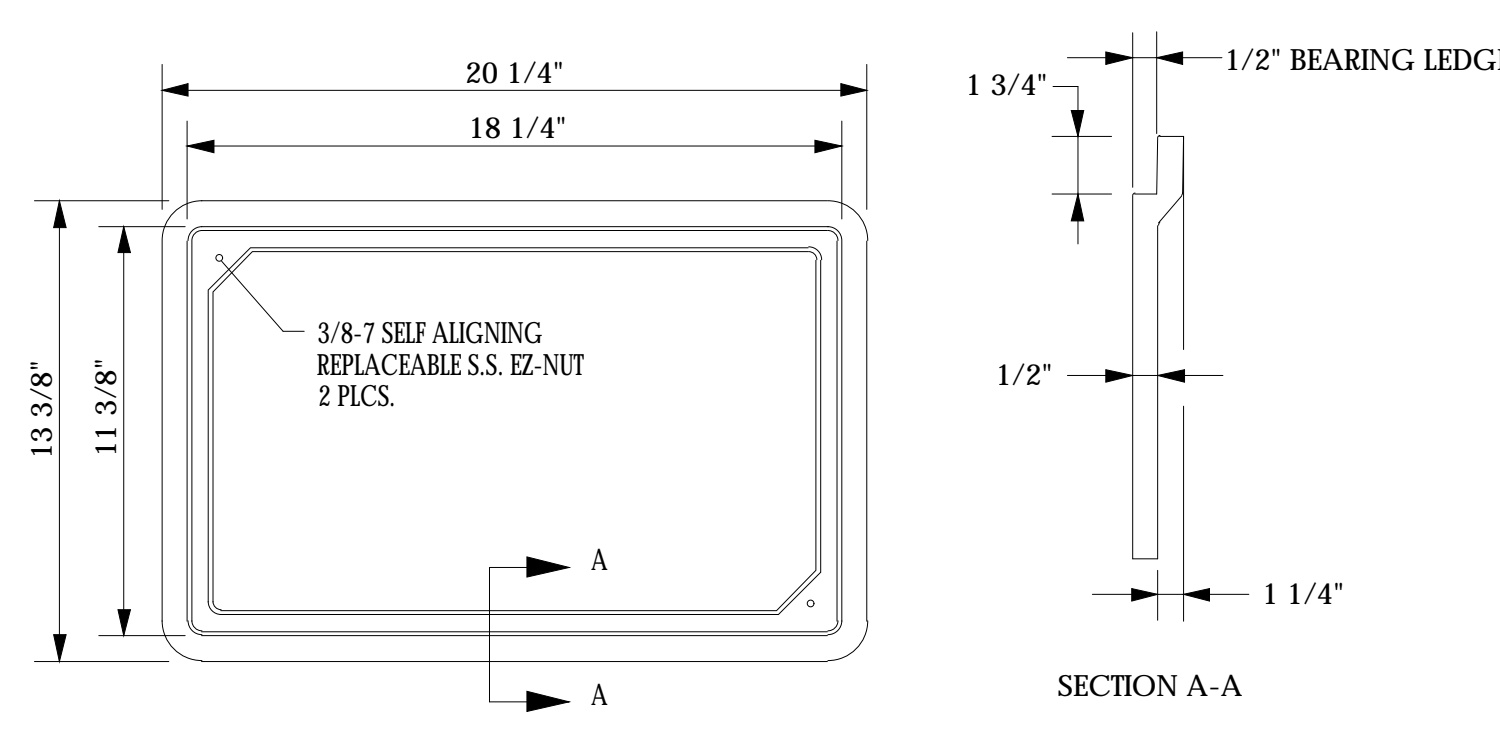


- NOTES**
- CONTRACTOR SHALL COORDINATE POWER POINT LOCATIONS WITH RG&E AND CITY STREET LIGHTING AS NECESSARY TO COMPLETE THE WORK. RG&E CONNECTION CHARGES SHALL BE INCLUDED/PAID UNDER VARIOUS 670 ITEMS. FINAL CONNECTION SHALL BE COMPLETED BY RG&E.
  - NEW LIGHTING CIRCUITS ARE PROVIDED AS SHOWN / SPECIFIED. REFER TO LIGHTING PLANS FOR SPECIFICS. PROVIDE DEDICATED NEUTRAL CONDUCTORS FOR ALL 120V CIRCUITS. PROVIDE #10 WIRE AND FUSE KIT WITHIN POLE FROM POLE BASE TO CONNECTION AT LUMINAIRE. ALL WIRE FROM THE POLE BASE TO LUMINAIRE SHALL BE INCLUDED IN PRICE BID FOR ITEM 670.20NN00M0.
  - CIRCUITS SERVING STREET LIGHTS ARE STAGGERED TO EVERY OTHER POLE. MAINTAIN THIS CIRCUITING ARRANGEMENT WHEN CONNECTING NEW STREET LIGHTS.
  - PROVIDE FUSING TO BOTH LEGS OF 120/240V SYSTEM. COST OF ALL FUSING TO BE INCLUDED IN VARIOUS WIRING ITEMS. THE FUSE POINT MUST BE INSTALLED WITHIN 50 FEET OF THE RGE SERVICE POINT.
  - DIAGRAM IS PARTIAL ONLY WITH RESPECT TO THE NUMBER OF STREET LIGHT POLE ASSEMBLIES. REFER TO THE LIGHTING PLANS FOR EXACT LIGHT POLE COUNT AND ALL CIRCUIT WIRING.
  - CONDUIT SHALL BE INSTALLED UNDER ITEM 206.03.
  - UNDERGROUND ELECTRICAL CONDUIT SHALL BE:
    - 2NPS SCHEDULE 80 PVC (UNDER ROADWAYS): ITEM 670.2602
    - 2NPS SCHEDULE 40 PVC (OUTSIDE OF THE ROADWAY): ITEM 670.2602

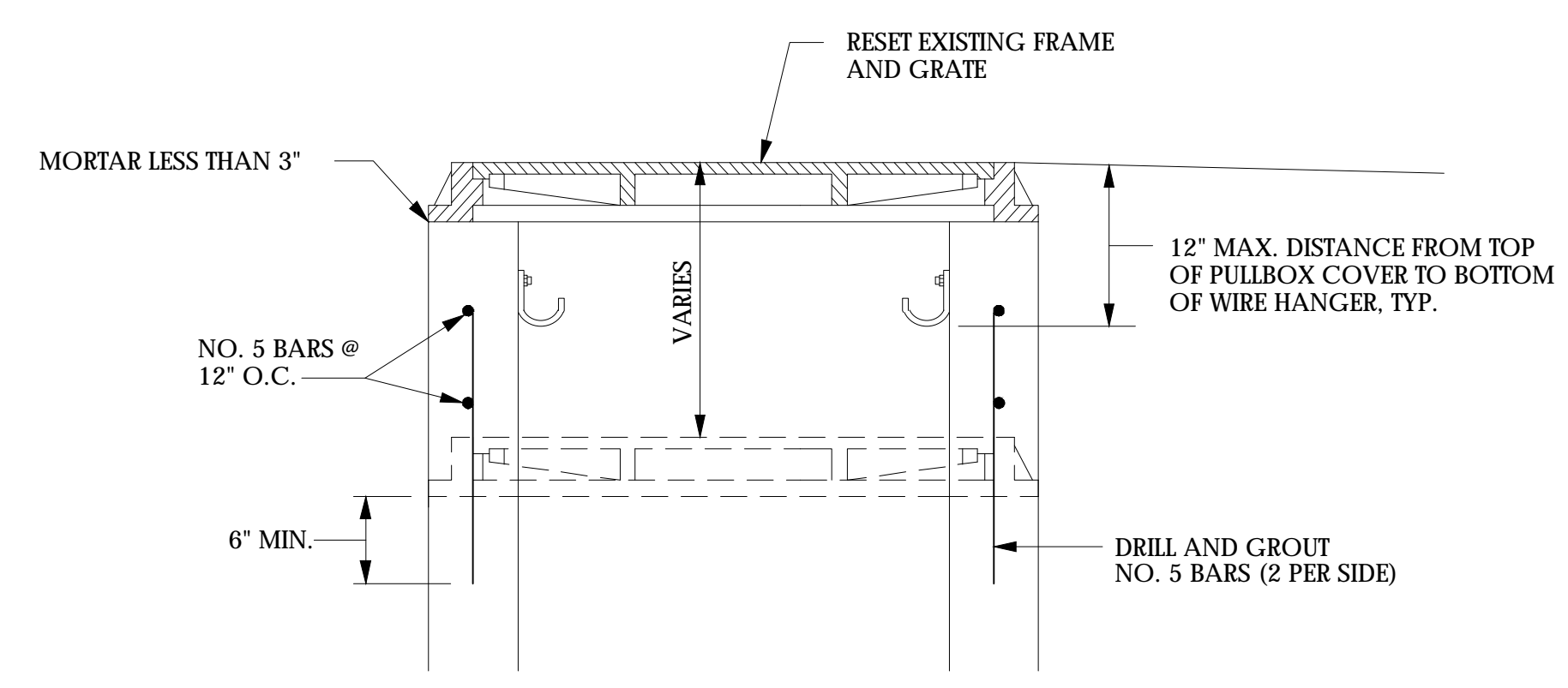
**TYPICAL STREET LIGHTING CONNECTION DIAGRAM FOR STREET LIGHT POLE ASSEMBLIES**



- NOTES:**
- PLACE 3 TO 6 INCHES OF SAND OR GRAVEL IN BOTTOM OF EXCAVATION.
  - IF NECESSARY, USE CONDUIT EXTENSION AND COUPLING TO EXTEND EXISTING CONDUIT TO FINISHED GRADE.
  - PROVIDE HDPE COVER FOR GRASS AREAS. PROVIDE STEEL RIM AND COVER FOR CONCRETE OR PAVED AREAS.
  - UNIT SHALL BE MADE FROM HIGH DENSITY POLYETHYLENE STRUCTURAL FOAM AND SHALL BE COMPLIANT WITH WESTERN UNDERGROUND COMMITTEE GUIDE 3.6, TELCORDIA GR-902 AND GR-12, AND ANSI/SCTE 77-2007. ALL HARDWARE SHALL BE STAINLESS STEEL.
  - SEE HANDHOLE/PULLBOX TABLE FOR LOCATIONS.

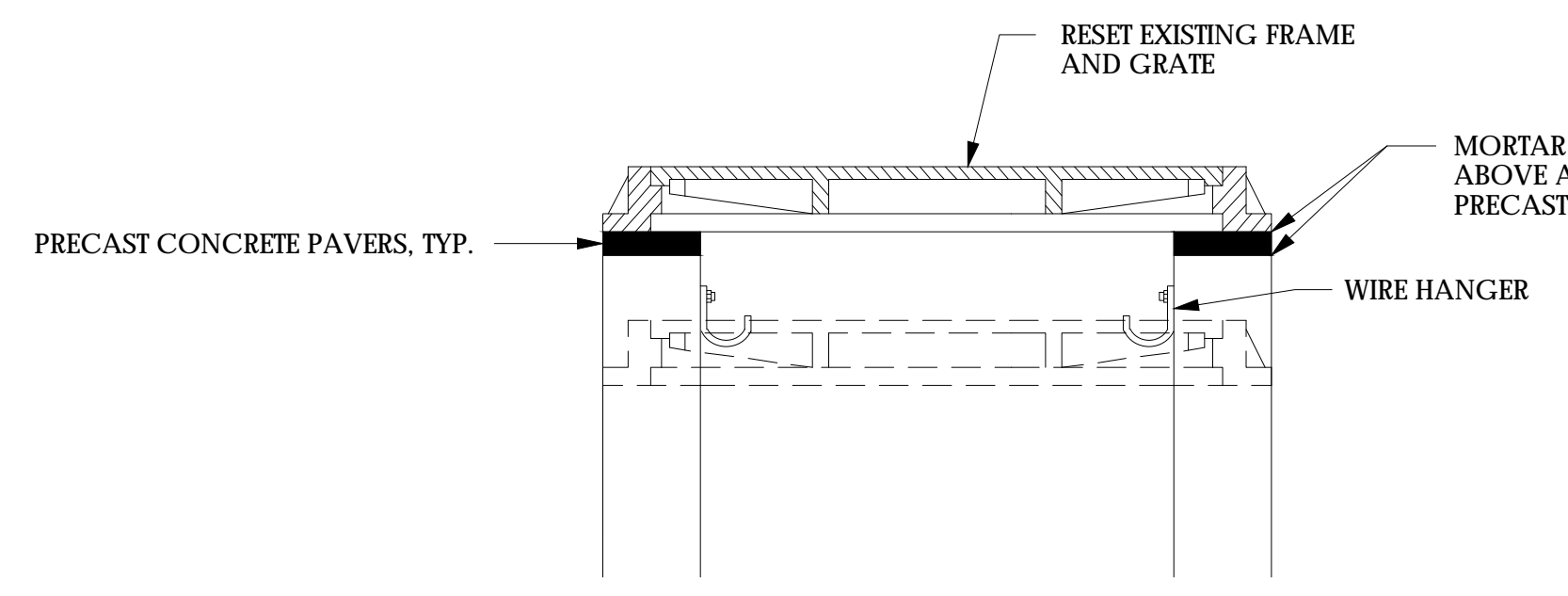
**POLYMER HANDHOLE (11\"/>**

ITEM 670.3001



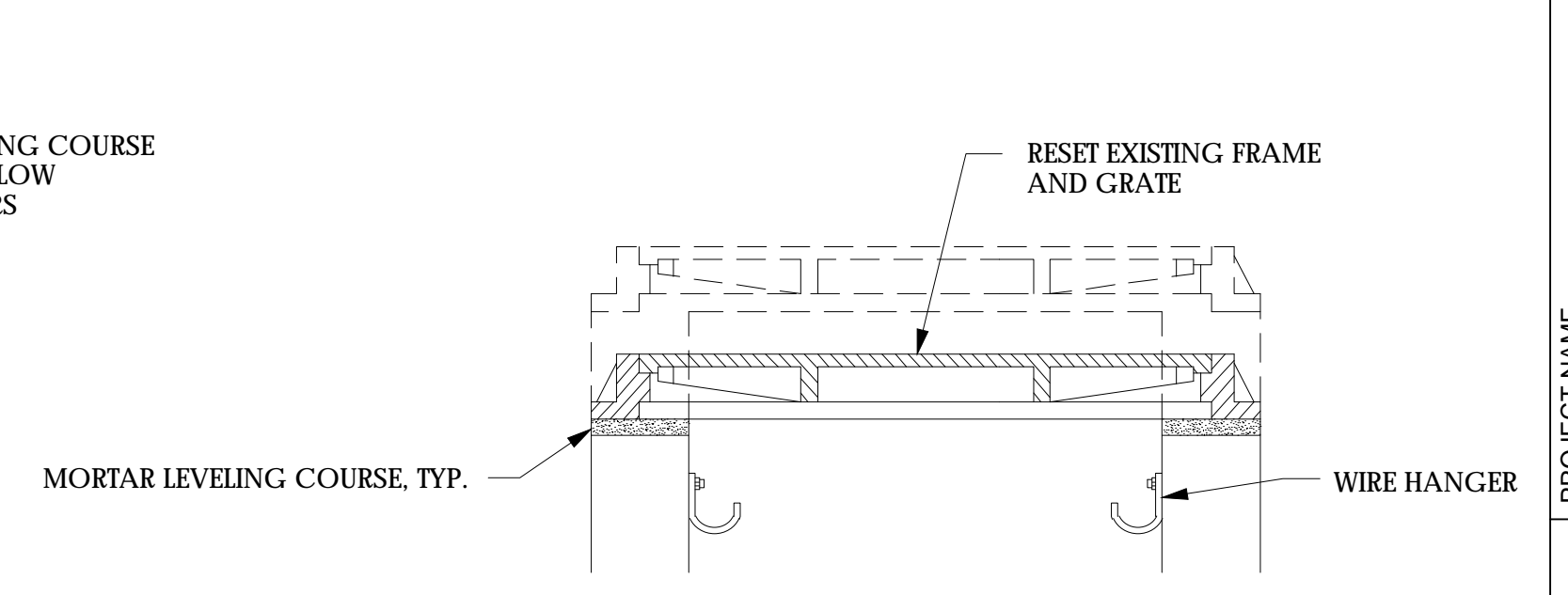
**ALTER ELEVATION OF PULLBOX DETAIL 1**

ITEM 680.51010009  
ALTER ELEVATION OF PULLBOX  
TYPE 1 (RAISING ABOVE 5 INCHES)



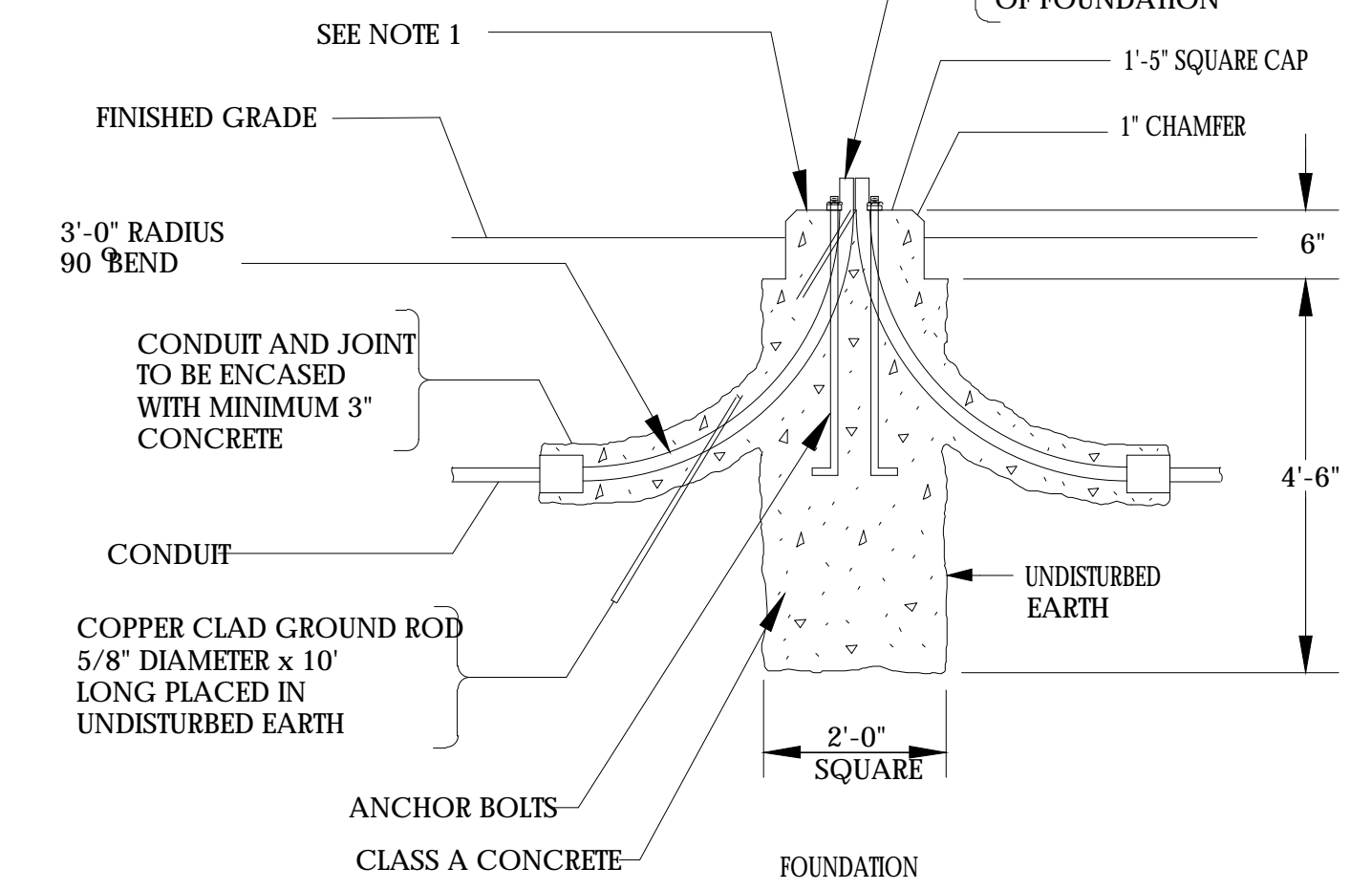
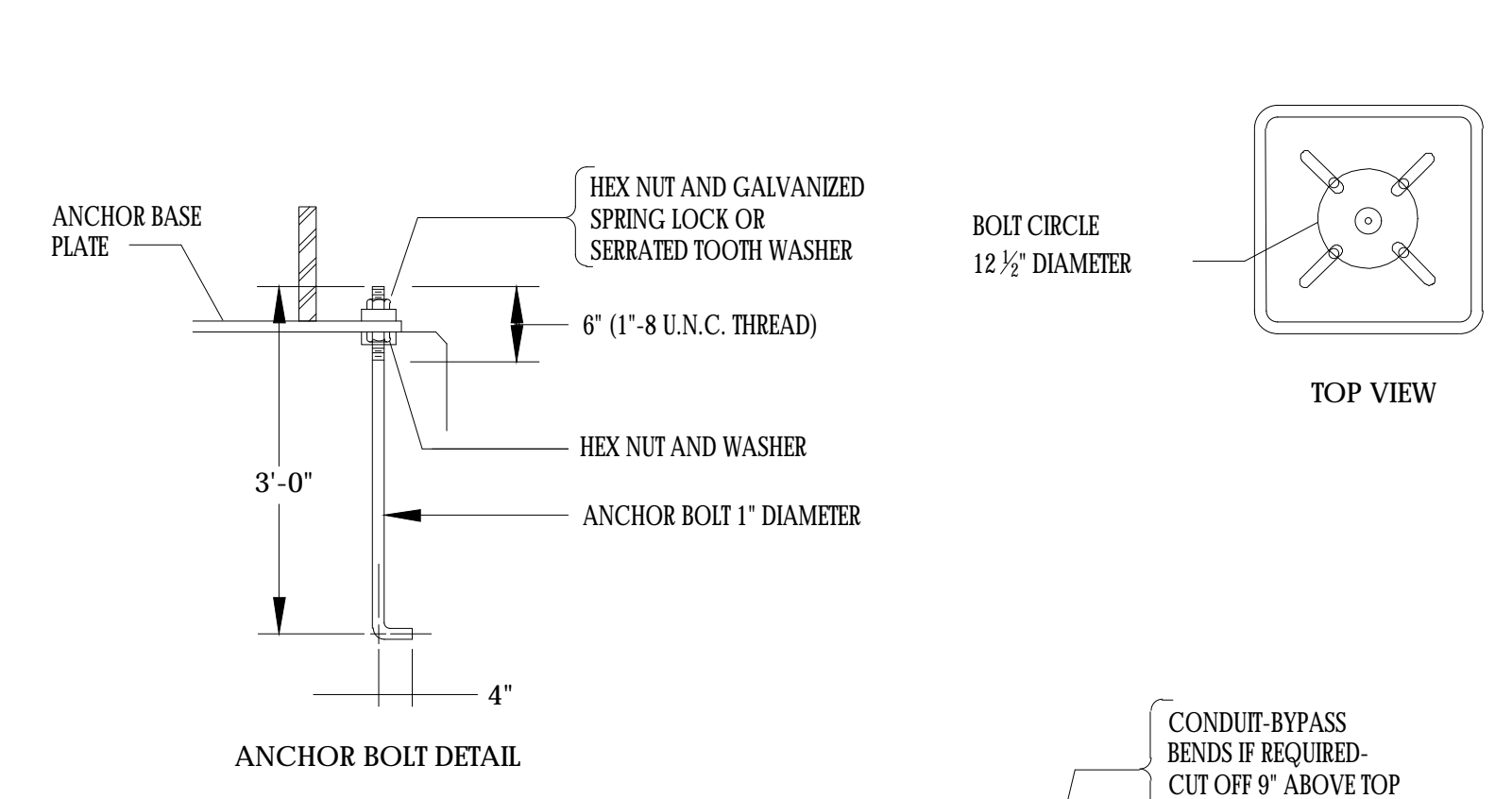
**ALTER ELEVATION OF PULLBOX DETAIL 2**

ITEM 680.51020009  
ALTER ELEVATION OF PULLBOX  
TYPE 2 (RAISING BELOW 5 INCHES OR RESETTING)



**ALTER ELEVATION OF PULLBOX DETAIL 3**

ITEM 680.51030009  
ALTER ELEVATION OF PULLBOX  
TYPE 3 - LOWERING



- NOTES**
- TOP OF FOUNDATION IS TO BE 2\"/>
  - GROUND ROD IS TO BE DRIVEN INTO UNDISTURBED EARTH ADJACENT TO FOUNDATION AND BENT INTO FOUNDATION TOP. TOP OF GROUND ROD IS TO BE MINIMUM 4\"/>
  - ANCHOR BOLT IS TO BE IN ACCORDANCE WITH ASTM F1554, GRADE 55. TOP OF ANCHOR BOLT IS TO BE 3\"/>
  - SUPPLY TWO LEVELING SHIMS WITH EACH ANCHOR BOLT. USE AS NECESSARY TO LEVEL BASE PLATE AND PLUMB POLE.
  - SEE STREET LIGHT POLE TABLE FOR LOCATIONS.

**METAL LIGHT POLE FOUNDATION DETAIL**

ITEM 670.0105

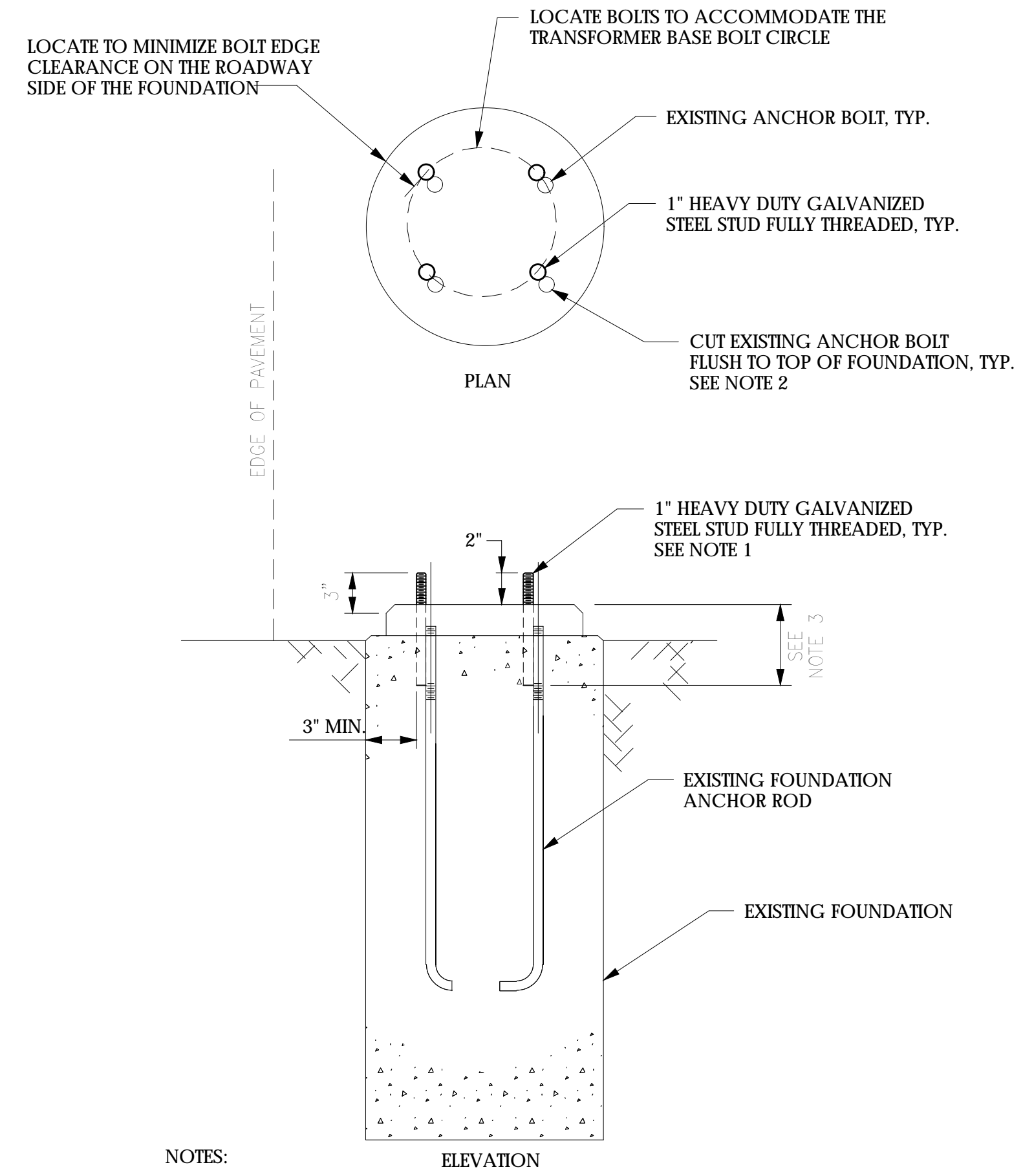
NO.	DATE	BY:	REVISION

**CONSULTANT**  
 Consultant Address: Rochester, New York XXXX  
 (585) 887-5309  
 Fax: (585) 887-5309

PROJECT MANAGER: MANAGER  
 DRAWN BY: DRAFTER

**DEPARTMENT OF TRANSPORTATION**  
 50 WEST MAIN STREET, SUITE 6100  
 ROCHESTER, NEW YORK 14614-1231  
 UNAUTHORIZED ALTERATION OR ADDITION TO THIS DRAWING IS A VIOLATION OF THE NEW YORK STATE EDUCATION LAW ARTICLE 145, SECTION 7209

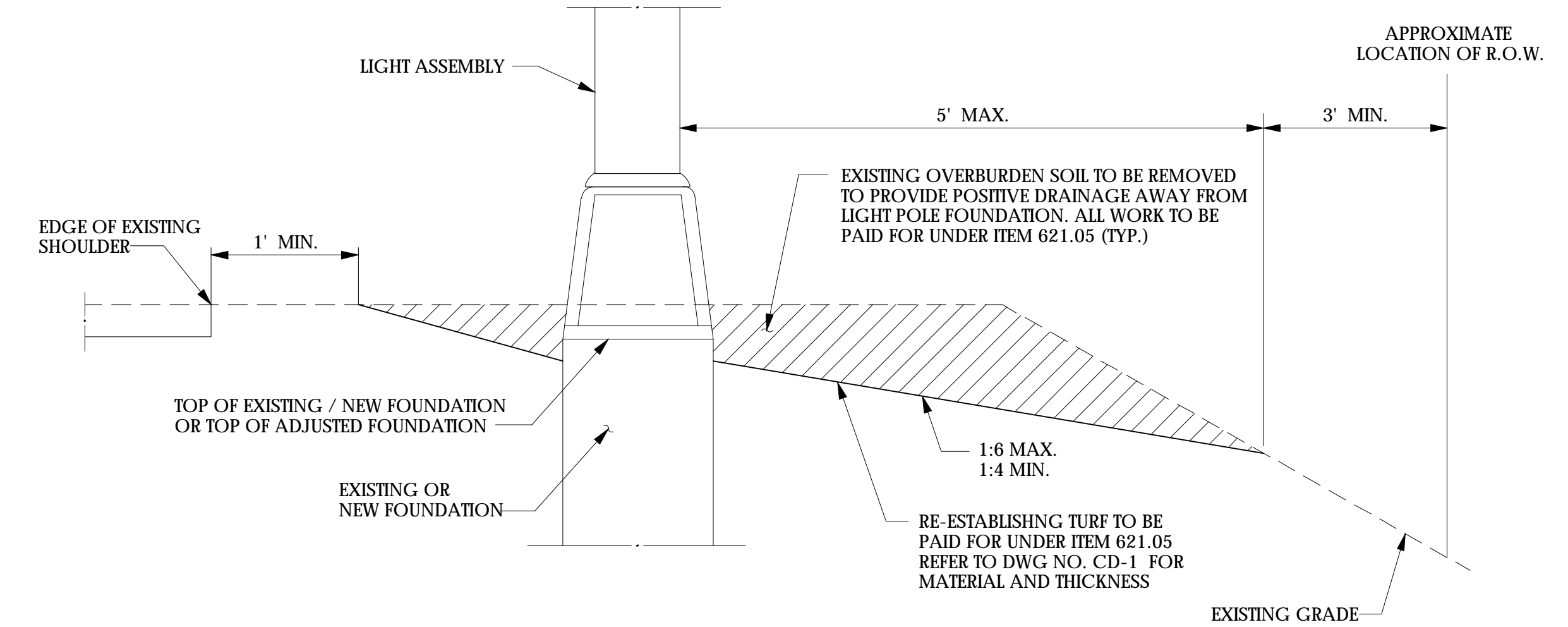
COUNTY ROAD #	PROJECT NAME	LIGHTING
TOWN	PROJECT LIMITS	SCALE: NOT TO SCALE
CAPITAL PROJECT NO. XXXX-XX	TOWN	DATE ISSUED: DATE
		DRAWING NO.
		1 OF XX



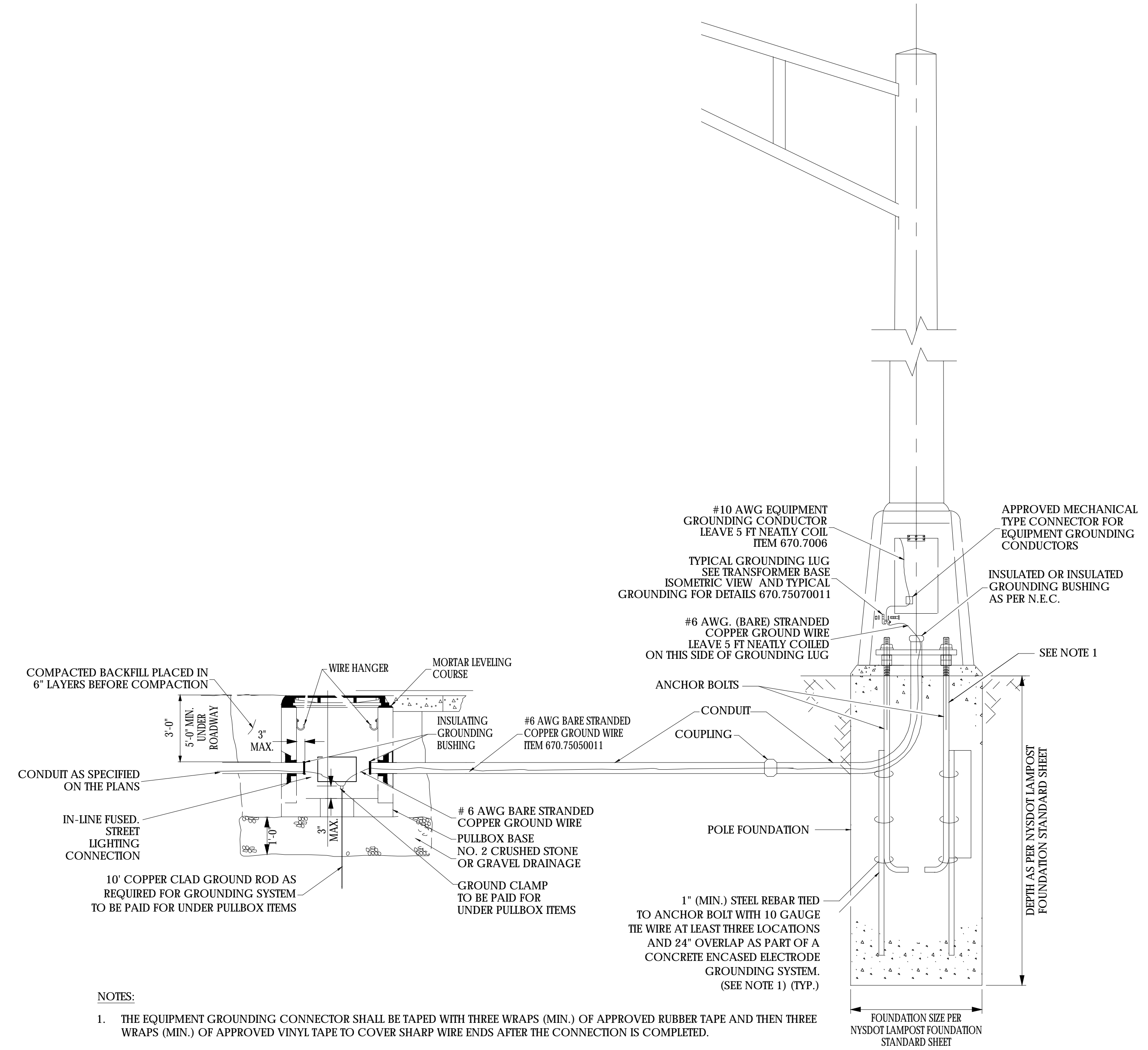
NOTES:

- COST OF 1" HEAVY DUTY GALVANIZED STEEL STUD FULLY THREADED INCLUDED IN ITEM 586.0301 - DRILLING AND GROUTING BOLTS OR REINFORCING BARS WITH PULLOUT TEST. ROD SHALL MEET THE REQUIREMENTS OF NYS DOT SPECIFICATION 723-60 "ANCHOR BOLTS".
- COST OF CUTTING EXISTING ANCHOR BOLT INCLUDED IN ITEM 586.0301 - DRILLING AND GROUTING BOLTS OR REINFORCING BARS WITH PULLOUT TEST.
- HOLE DIAMETER AND ROD EMBEDMENT SHALL BE SPECIFIED BY THE GROUT MANUFACTURER TO ENSURE THAT TENSILE FAILURE OF THE ANCHOR ROD CONTROLS.
- THE INTENT OF THIS ITEM IS TO BE USED AT LOCATIONS WHERE THE EXISTING ANCHOR BOLTS ARE IN NEED OF REPLACEMENT. THE QUANTITY SHOWN IN THE PROPOSAL IS ESTIMATED.
- MAXIMUM TWO BOLT REPLACEMENT, IF BOLTS ARE DIAGONAL FROM EACH OTHER. THE CONTRACTOR SHALL NOT REPLACE MORE THAN 2 BOLTS AT A TIME.

**TYPICAL CHEMICAL ANCHOR INSTALLATION**  
ITEM 586.0301



**CLEAN, GRADE AND SHAPE AT LIGHT POLE FOUNDATION DETAIL**



NOTES:

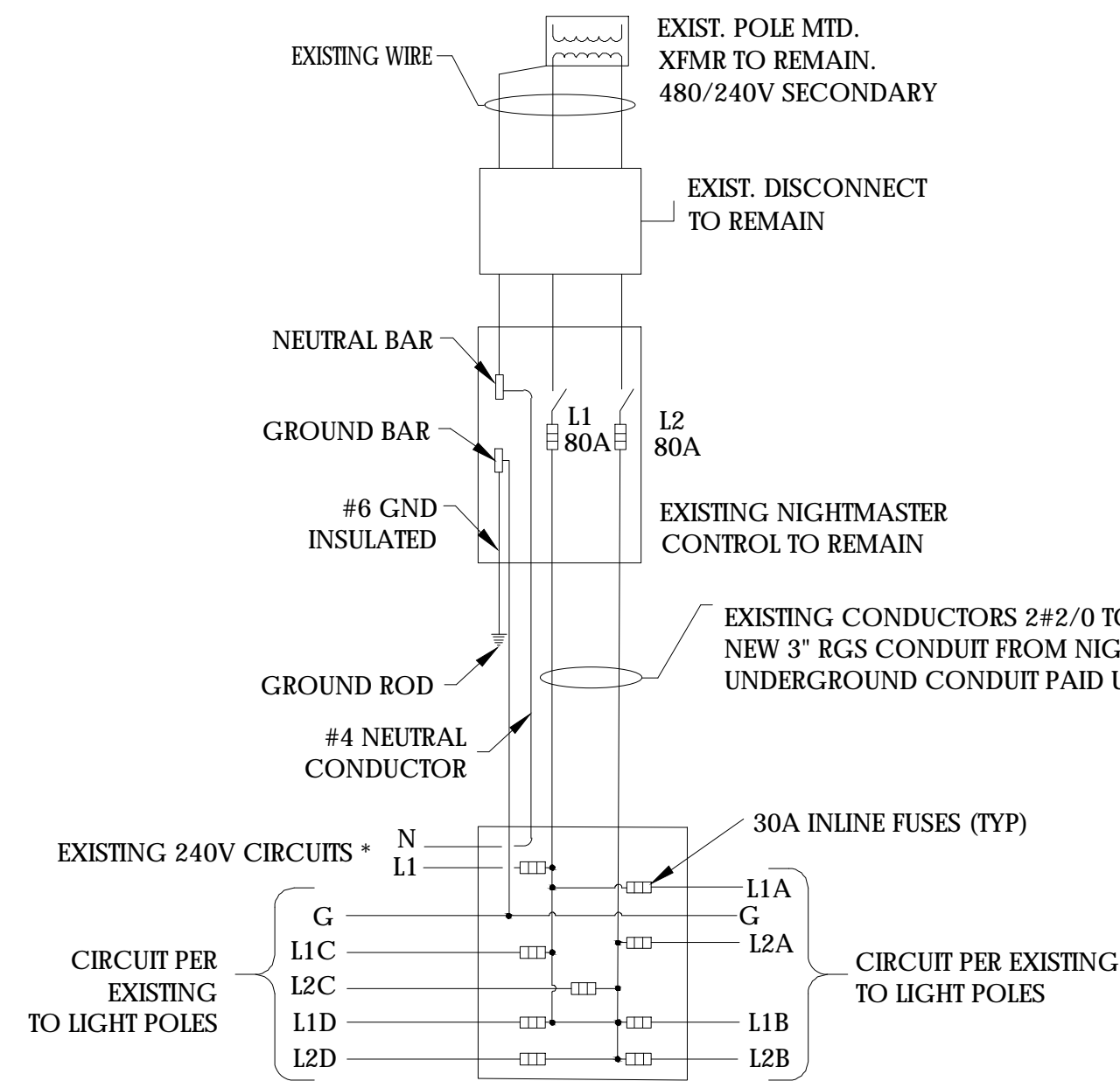
- THE EQUIPMENT GROUNDING CONNECTOR SHALL BE TAPED WITH THREE WRAPS (MIN.) OF APPROVED RUBBER TAPE AND THEN THREE WRAPS (MIN.) OF APPROVED VINYL TAPE TO COVER SHARP WIRE ENDS AFTER THE CONNECTION IS COMPLETED.
- BREAKAWAY FUSE HOLDERS, STRAPS, HOOK BLOTS AND FUSES TO BE INCLUDED IN THE COST OF THE CABLING.
- METAL PULL BOX COVERS AND FRAME SHALL BE GROUNDED AS APPROPRIATE PER NATIONAL ELECTRICAL CODE.
- STREET LIGHTING PULLBOX COVERS SHALL HAVE THE LABEL "STREET LIGHTING" CAST IN THEM.
- DETAILS OF CONSTRUCTION, MATERIALS, AND WORKMANSHIP NOT SHOWN ON THIS DRAWING SHALL CONFORM TO THE PERTINENT REQUIREMENTS OF THE CONTRACT.
- ALL WORK AND EQUIPMENT SHALL COMPLY WITH THE N.E.C., UTILITY COMPANY REQUIREMENTS AND NYS DOT SPECIFICATIONS.
- NOTHING IN THE CONTRACT DOCUMENTS RELIEVES THE CONTRACTOR FROM FOLLOWING THE N.E.C.

**TRANSFORMER BASE GROUNDING DETAIL**

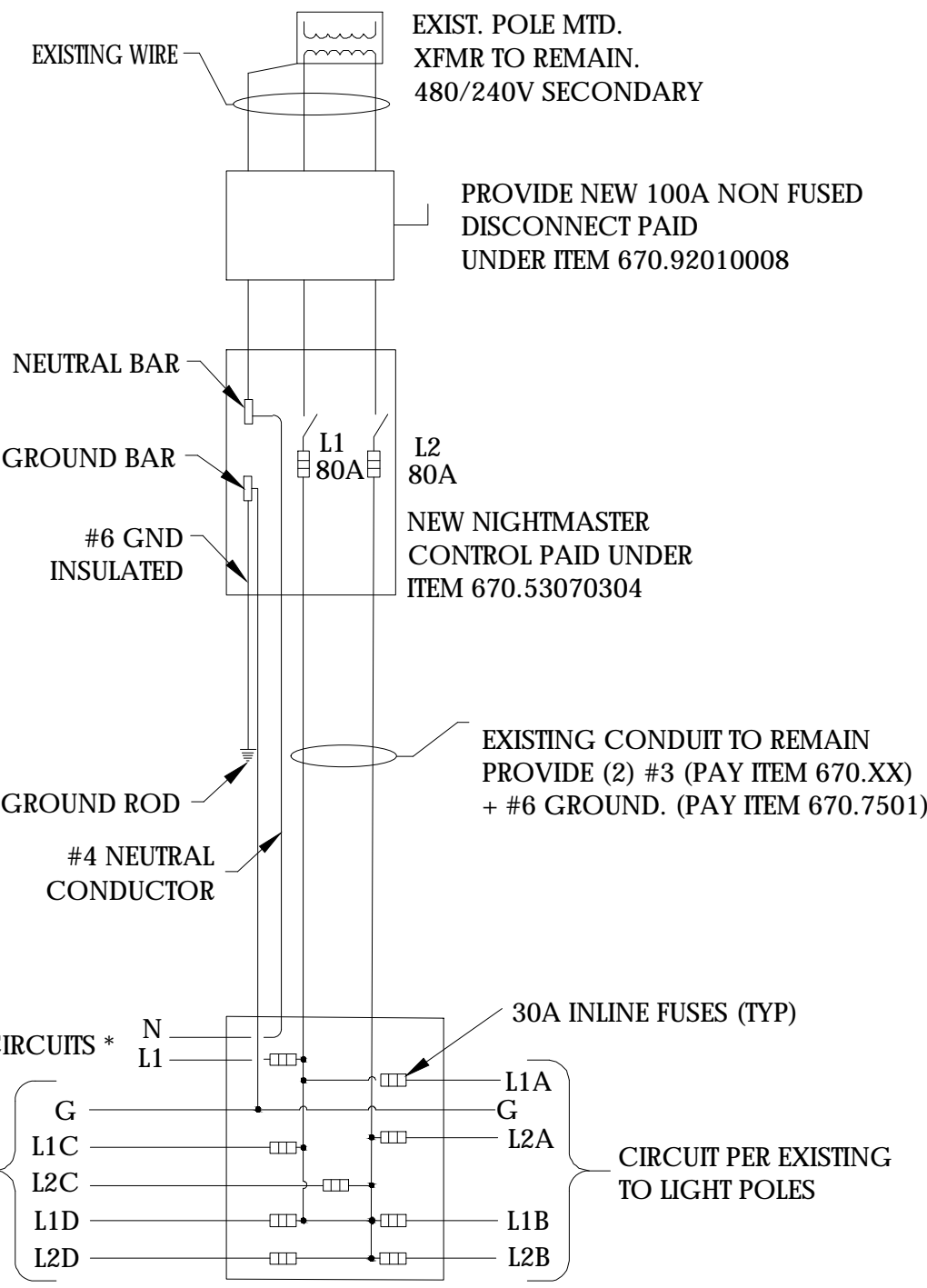
CONSULTANT		DEPARTMENT OF TRANSPORTATION	
Consultant Address: Rochester, New York XXXX (585) 867-5309 Fax: (585) 867-5309		50 WEST MAIN STREET, SUITE 6100 ROCHESTER, NEW YORK 14614-1231 UNAUTHORIZED ALTERATION OR ADDITION TO THIS DRAWING IS A VIOLATION OF THE NEW YORK STATE EDUCATION LAW ARTICLE 145, SECTION 7209	
PROJECT MANAGER:	MANAGER	COUNTY ROAD #	
DRAWN BY:	DRAFTER	PROJECT NAME	LIGHTING
NO. DATE BY:		PROJECT LIMITS	
		TOWN	
		CAPITAL PROJECT NO.	XXXX-XX
		SCALE:	NOT TO SCALE
		DATE ISSUED:	DATE
		DRAWING NO.	2 OF XX

**POWER POINT DISCONNECT SPECIFICATIONS:**  
 SQUARE D "NIGHT-MASTER" SERVICE ENTRANCE RATED COMBINATION LIGHTING CONTACTOR WITH THE FOLLOWING FEATURES:

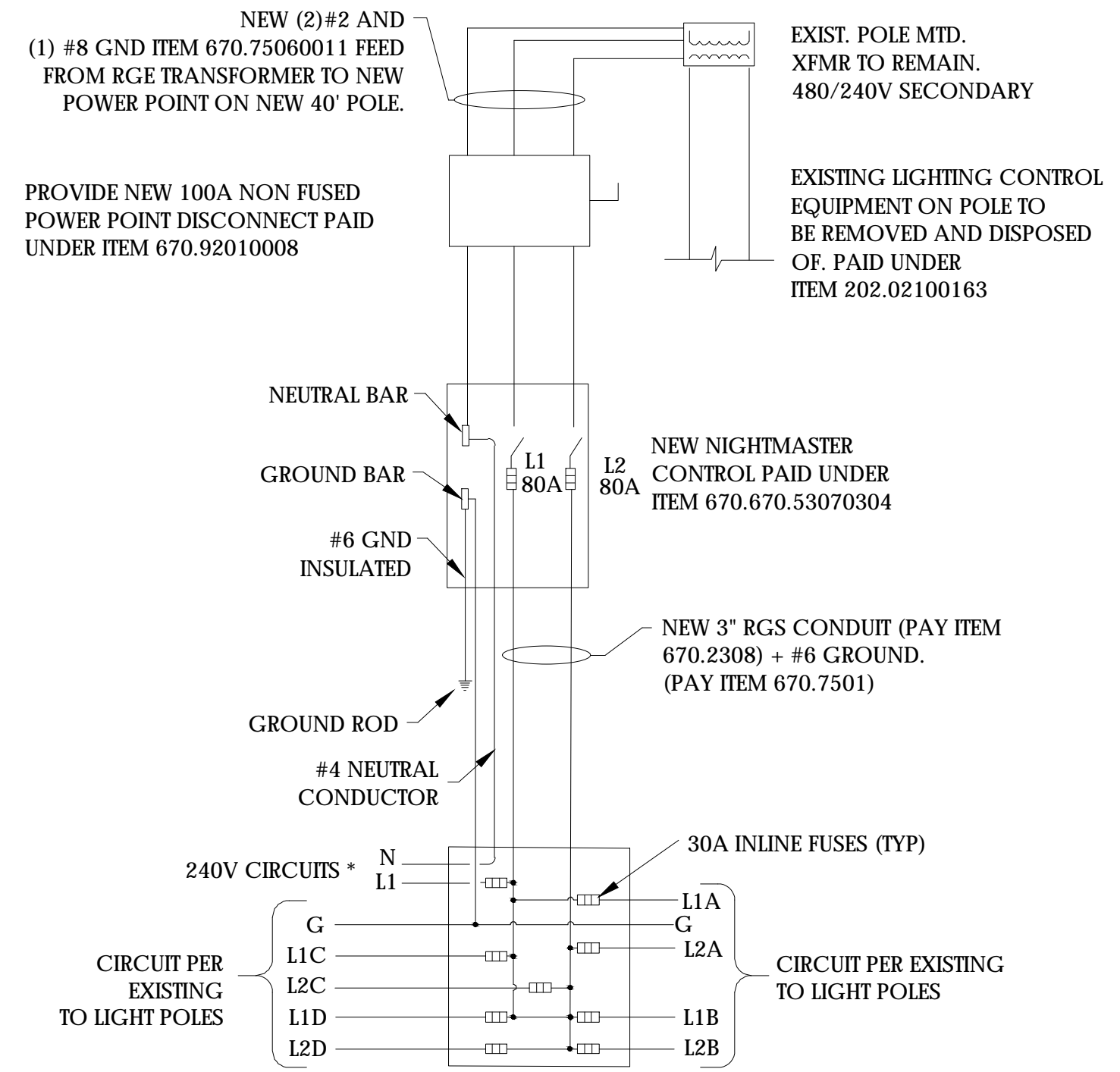
- 100A FUSED DISCONNECT, 600V, 3-POLE
- 100A TYPE S LIGHTING CONTACTOR, 120V COIL
- NEMA 3R
- CONTROL TRANSFORMER, PRI/SEC FUSES
- PHOTOELECTRIC RECEPTACLE WITH PHOTOCCELL
- UL LISTED
- SOLID NEUTRAL & GROUND LUG
- PADLOCK PROVISION
- CIRCUIT BREAKERS TO BE INSTALLED AT NIGHTMASTER



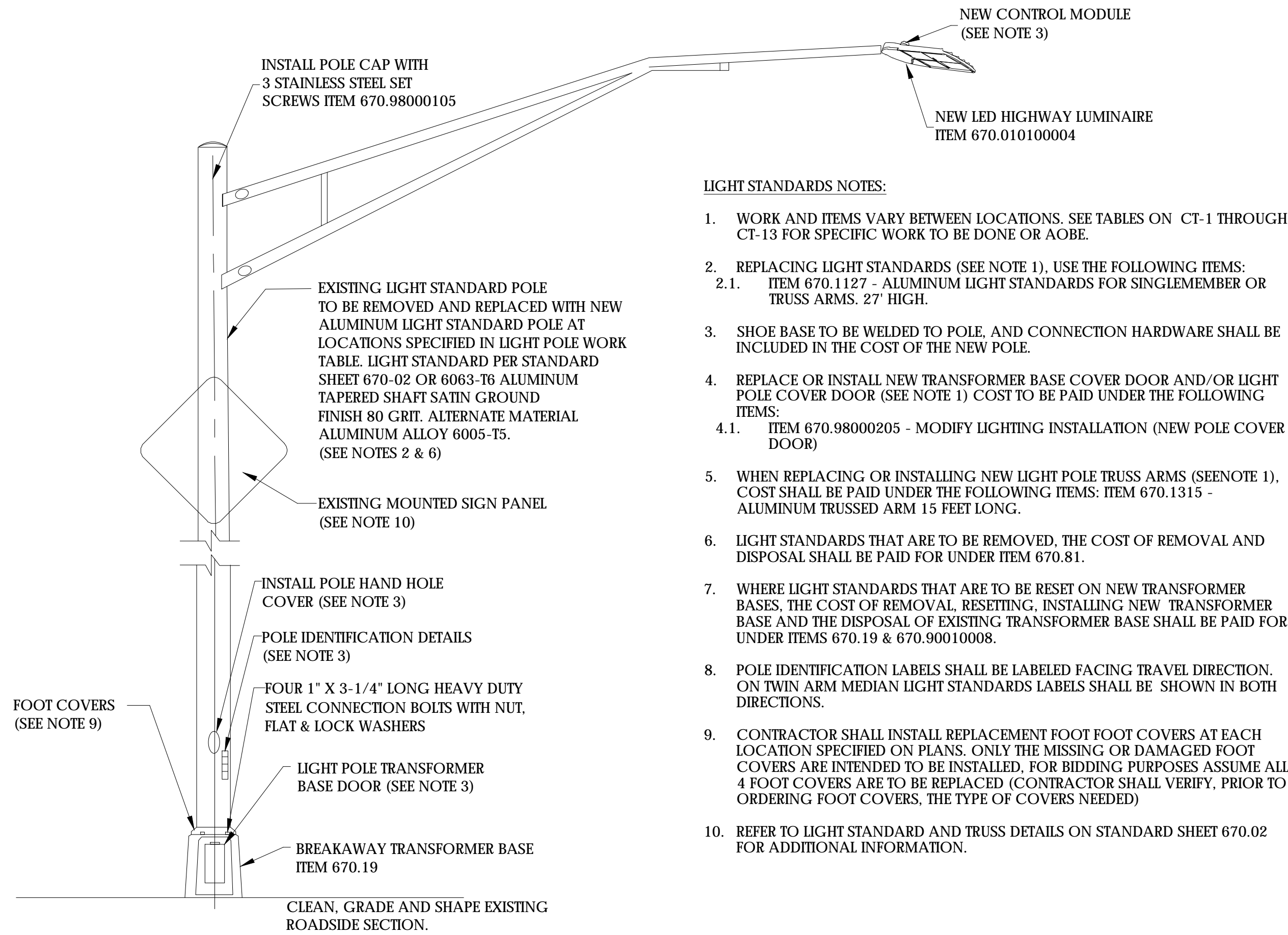
**POWER POINT WIRING DIAGRAM "P-49"**  
 CKT 465 MONROE AVE



**POWER POINT WIRING DIAGRAM "P-150B"**  
 CKT 2196 HIGHLAND AVE H.B. RAMP



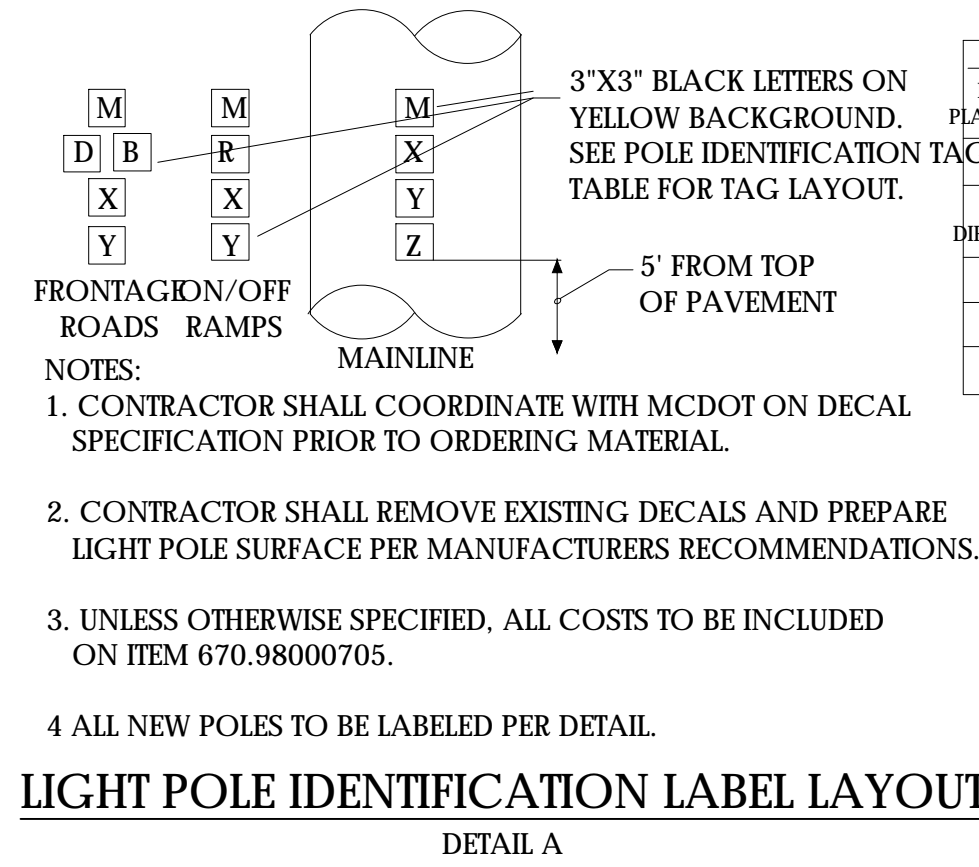
**POWER POINT WIRING DIAGRAM "P-175"**  
 CKT 431 ELMWOOD AVE E.B. RAMP



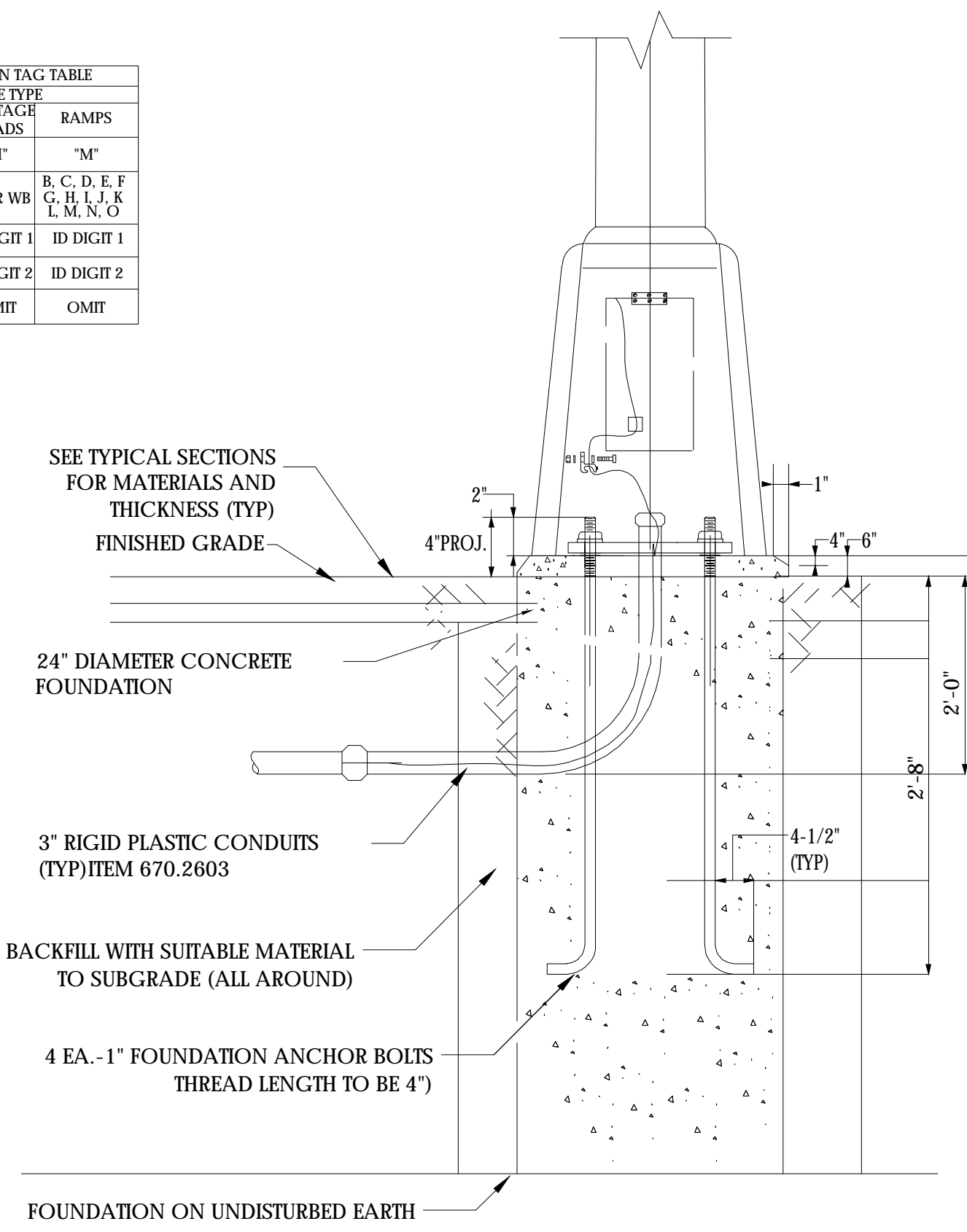
**EXISTING LIGHT STANDARD/TRANSFORMER BASE**

**LIGHT STANDARDS NOTES:**

1. WORK AND ITEMS VARY BETWEEN LOCATIONS. SEE TABLES ON CT-1 THROUGH CT-13 FOR SPECIFIC WORK TO BE DONE OR AOB.
2. REPLACING LIGHT STANDARDS (SEE NOTE 1), USE THE FOLLOWING ITEMS:
  - 2.1. ITEM 670.1127 - ALUMINUM LIGHT STANDARDS FOR SINGLE MEMBER OR TRUSS ARMS. 27' HIGH.
3. SHOE BASE TO BE WELDED TO POLE. AND CONNECTION HARDWARE SHALL BE INCLUDED IN THE COST OF THE NEW POLE.
4. REPLACE OR INSTALL NEW TRANSFORMER BASE COVER AND/OR LIGHT POLE COVER DOOR (SEE NOTE 1) COST TO BE PAID UNDER THE FOLLOWING ITEMS:
  - 4.1. ITEM 670.98000205 - MODIFY LIGHTING INSTALLATION (NEW POLE COVER DOOR)
5. WHEN REPLACING OR INSTALLING NEW LIGHT POLE TRUSS ARMS (SEENOTE 1), COST SHALL BE PAID UNDER THE FOLLOWING ITEMS: ITEM 670.1315 - ALUMINUM TRUSSED ARM 15 FEET LONG.
6. LIGHT STANDARDS THAT ARE TO BE REMOVED, THE COST OF REMOVAL AND DISPOSAL SHALL BE PAID FOR UNDER ITEM 670.81.
7. WHERE LIGHT STANDARDS THAT ARE TO BE RESET ON NEW TRANSFORMER BASES, THE COST OF REMOVAL, RESETTNG, INSTALLING NEW TRANSFORMER BASE AND THE DISPOSAL OF EXISTING TRANSFORMER BASE SHALL BE PAID FOR UNDER ITEMS 670.19 & 670.90010008.
8. POLE IDENTIFICATION LABELS SHALL BE LABELED FACING TRAVEL DIRECTION. ON TWIN ARM MEDIAN LIGHT STANDARDS LABELS SHALL BE SHOWN IN BOTH DIRECTIONS.
9. CONTRACTOR SHALL INSTALL REPLACEMENT FOOT FOOT COVERS AT EACH LOCATION SPECIFIED ON PLANS. ONLY THE MISSING OR DAMAGED FOOT COVERS ARE INTENDED TO BE INSTALLED, FOR BIDDING PURPOSES ASSUME ALL 4 FOOT COVERS ARE TO BE REPLACED (CONTRACTOR SHALL VERIFY, PRIOR TO ORDERING FOOT COVERS, THE TYPE OF COVERS NEEDED)
10. REFER TO LIGHT STANDARD AND TRUSS DETAILS ON STANDARD SHEET 670.02 FOR ADDITIONAL INFORMATION.



**LIGHT POLE IDENTIFICATION LABEL LAYOUT**  
 DETAIL A



**ELEVATION-NEW STREET LIGHT POLE FOUNDATION**

ITEM 670.010X  
 NOTES:  
 1. "REFER TO NYSOT STANDARD SHEETS FOR FOUNDATION DETAILS"

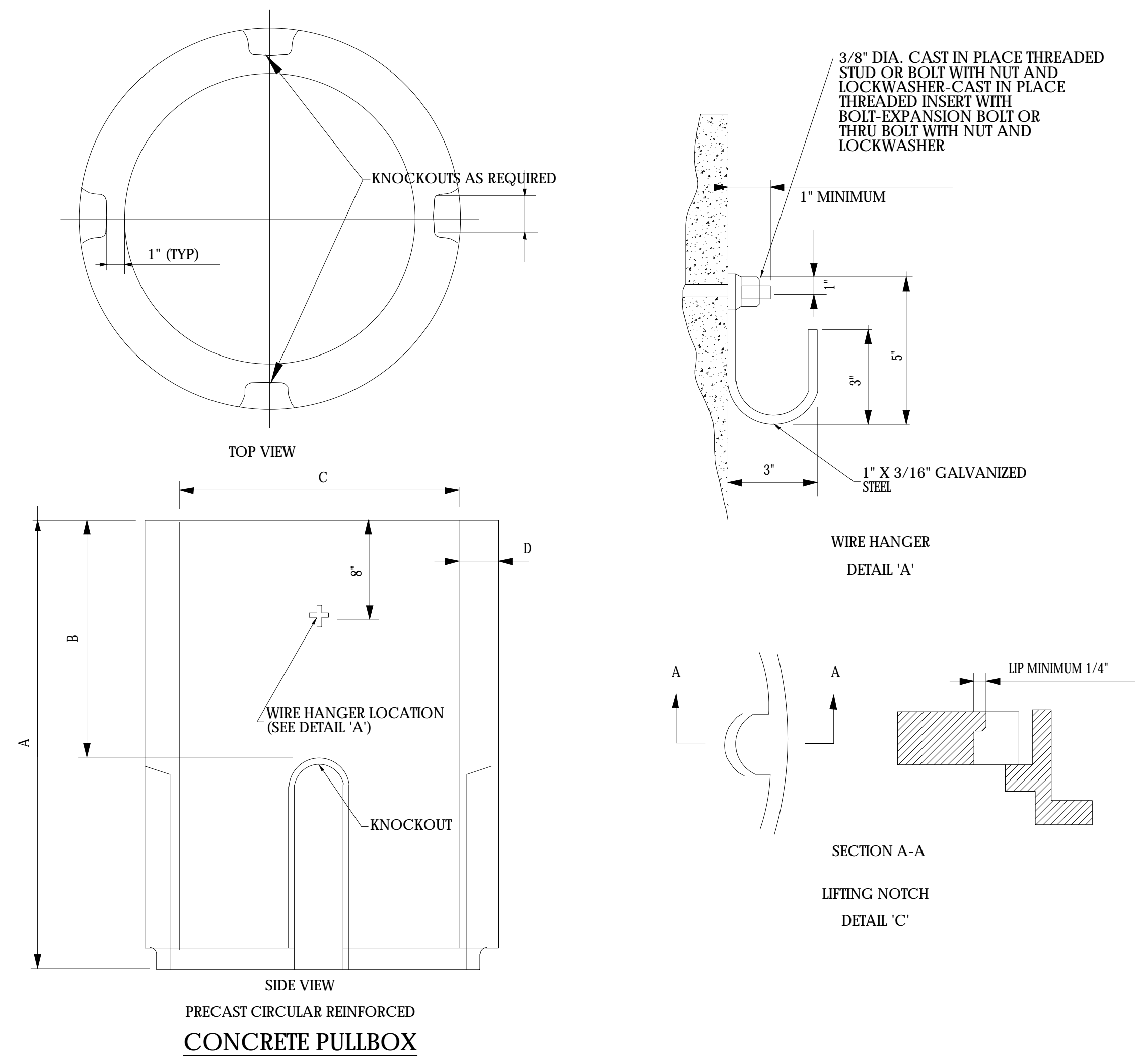
NO.	DATE	BY:	REVISION

**CONSULTANT**  
 (585) 867-5309  
 Fax: (585) 867-5309  
 Consultant Address: Rochester, New York XXXX

PROJECT MANAGER: **MANAGER**  
 DRAWN BY: **DRAFTER**

**DEPARTMENT OF TRANSPORTATION**  
 50 WEST MAIN STREET, SUITE 6100  
 ROCHESTER, NEW YORK 14614-1231  
 UNAUTHORIZED ALTERATION OR ADDITION TO THIS DRAWING IS A VIOLATION OF THE NEW YORK STATE EDUCATION LAW ARTICLE 145, SECTION 7209

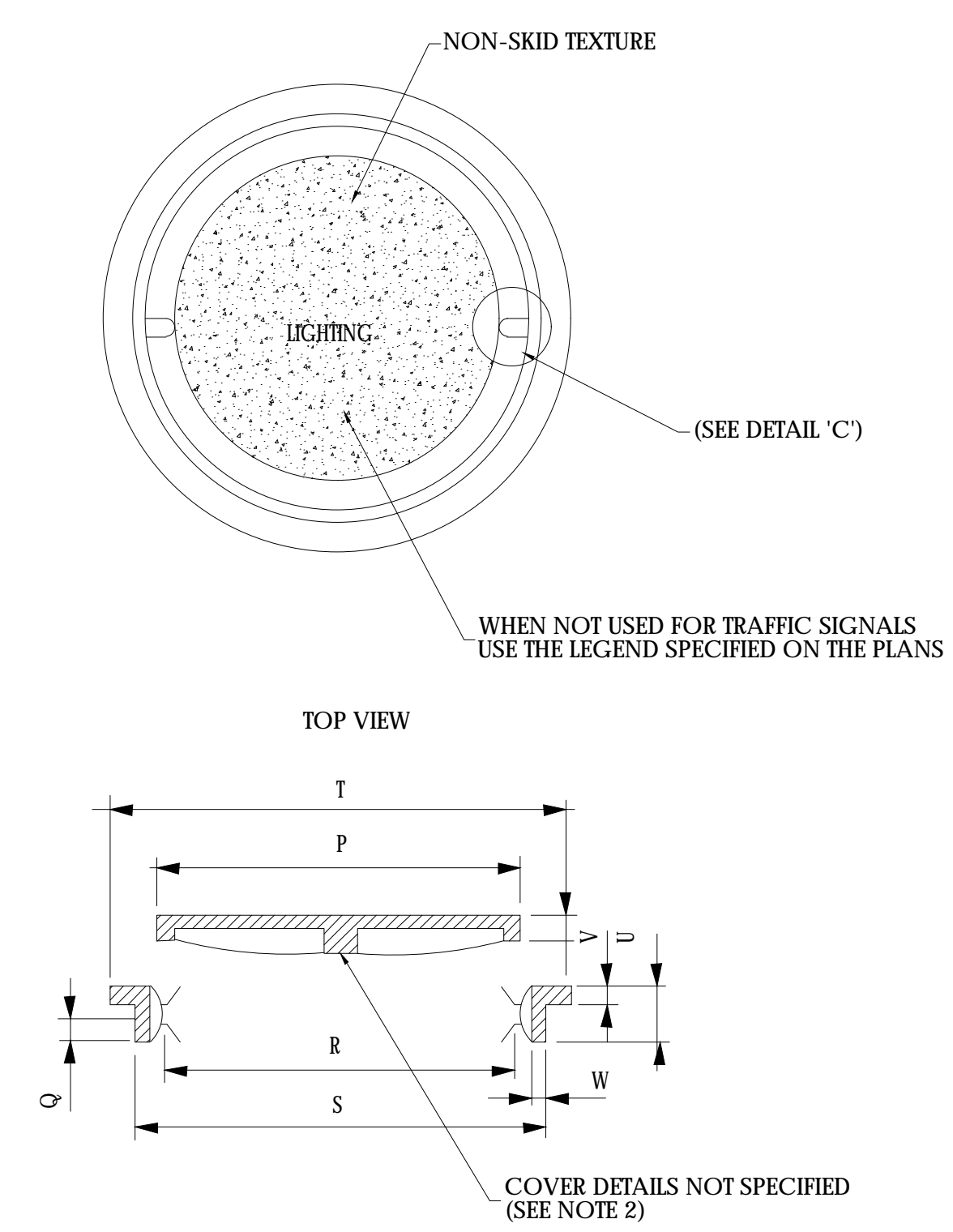
COUNTY ROAD #	PROJECT NAME
TOWN	PROJECT LIMITS
CAPITAL PROJECT NO.	TOWN
XXXX-XX	XXXX-XX



PRECAST CIRCULAR REINFORCED CONCRETE PULLBOX

CIRCULAR REINFORCED CONCRETE PULLBOX DIMENSIONS										
INTERNAL VOLUME CU. FT. WITHOUT EXTENSION	PULLBOX SIZE	DIMENSION					MINIMUM CIRCULAR REINFORCEMENT*	MINIMUM VERTICAL REINFORCEMENT*	NUMBER OF KNOCKOUTS**	NUMBER OF WIRE HANGERS
		A	B	C	D	E				
3.7	3.7	36"	20"	15"	2 1/2" MIN.	4"	0.12" SQ. FT.	0.058" SQ. FT.	4	1
5.3	5.3	36"	20"	18"	2 1/2" MIN.	4"	0.12" SQ. FT.	0.058" SQ. FT.	4	2
9.4	9.4	36"	20"	24"	3" MIN.	4"	0.12" SQ. FT.	0.058" SQ. FT.	6	2
14.7	14.7	36"	20"	30"	3 1/2" MIN.	4"	0.12" SQ. FT.	0.058" SQ. FT.	6	2

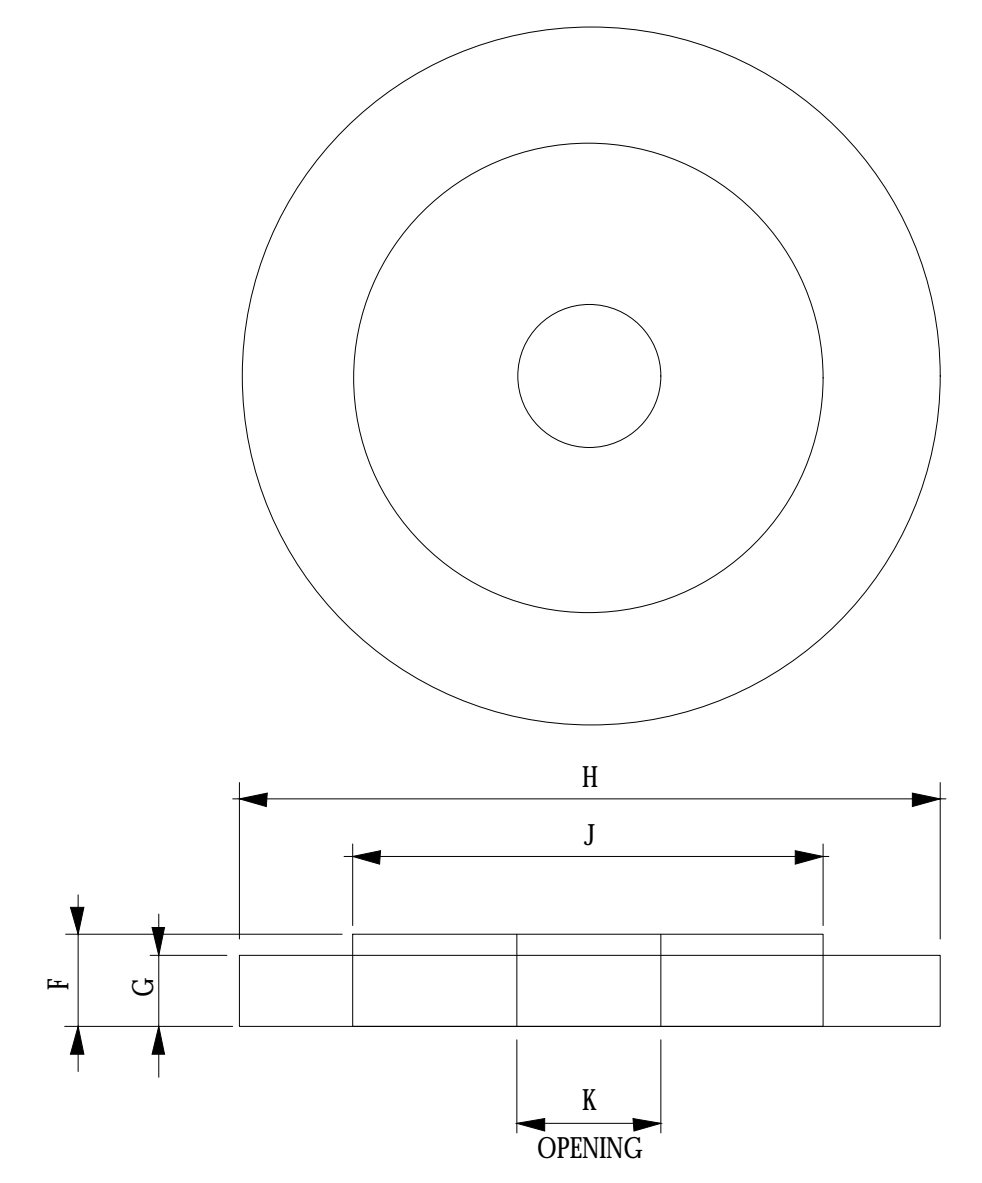
- NOTES:**
- STANDARD KNOCKOUT LOCATIONS ARE SHOWN FOR EACH PULLBOX. THE CONTRACTOR MAY ALSO ELECT TO FURNISH PULLBOXES WITH ONLY THE NUMBER AND SIZE CONDUIT OPENINGS THAT ARE REQUIRED FOR THAT PARTICULAR LOCATION.
  - FRAMES AND COVERS SHALL BE HEAVY DUTY TO SUPPORT AN HS-20 WHEEL LOADING.
  - PULLBOX COVERS MAY BE DESIGNED WITH OR WITHOUT RIBS.
  - A NON-SKID TEXTURE SHALL BE CAST INTO THE TOP SURFACE OF THE COVER.
  - PULLBOX BASES ARE REQUIRED ONLY FOR PULLBOXES PLACED IN THE PAVEMENT OR SHOULDER AND AS INDICATED ON THE PLANS. BASES, WHEN REQUIRED, MAY BE CAST INTEGRAL WITH THE PULLBOX.
  - A ROUGH FINISH IS ACCEPTABLE FOR PULLBOX KNOCKOUTS.
  - THE CONTRACTOR MAY ELECT TO FURNISH PULLBOXES PRECAST TO GREATER DEPTH, IN 1' INCREMENTS, INSTEAD OF USING EXTENSIONS.
  - THE FRAME AND COVER FOR CIRCULAR PULLBOXES SHALL BE USED FOR REINFORCED CONCRETE OR OTHER CIRCULAR PULLBOXES.
  - KNOCKOUTS TO BE EQUALLY SPACED ABOUT CIRCUMFERENCE OF PULLBOX.
  - SEE THE STANDARD SHEET FOR PULLBOX, CONDUIT AND GROUND ROD INSTALLATION DETAILS, OR THE PLANS FOR INSTALLATION DETAILS.
  - STEEL REINFORCEMENT SHALL BE PLACED WITHIN THE CENTER THIRD OF THE WALL. MINIMUM COVER SHALL BE 3/4".



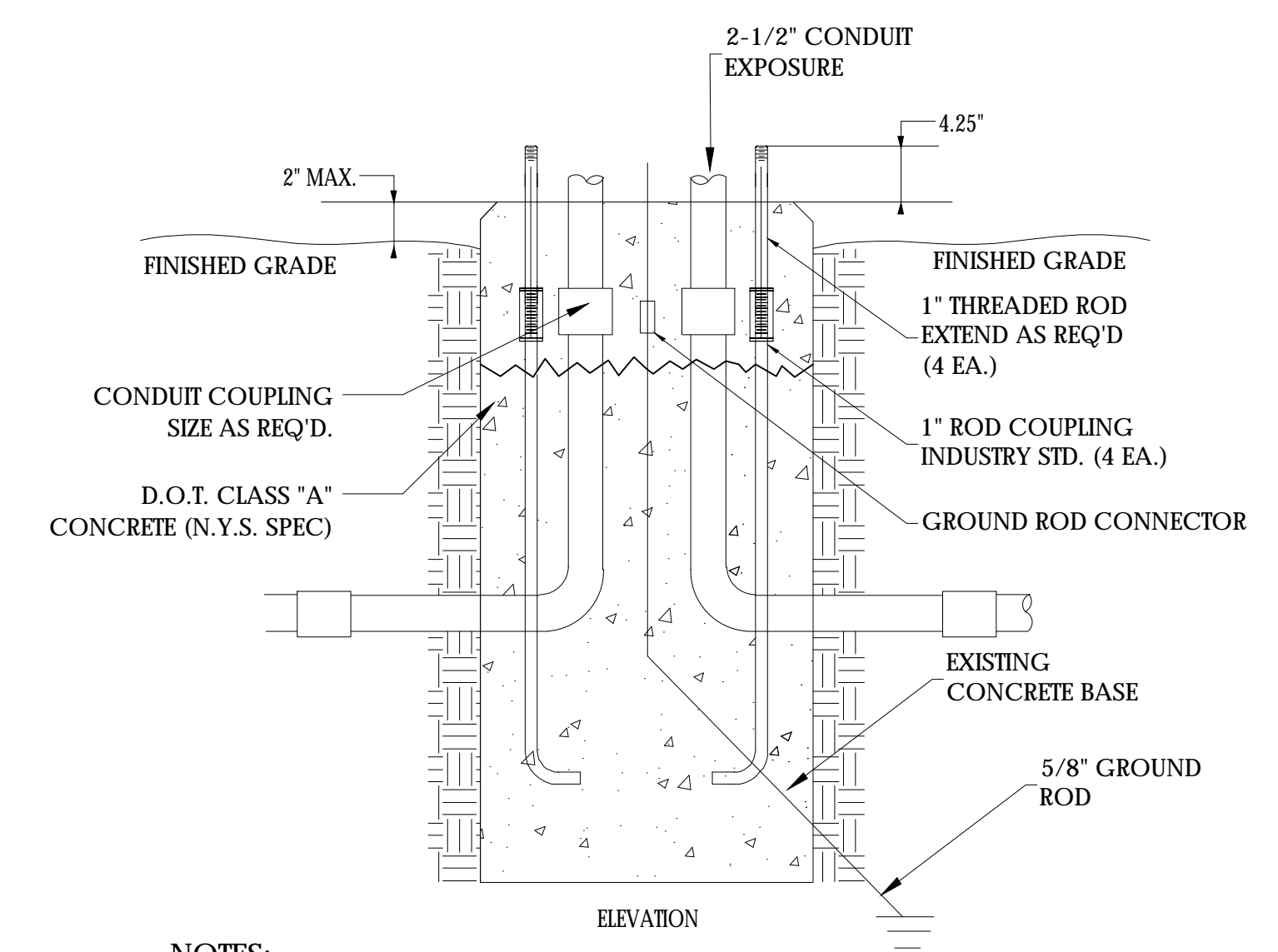
CAST IRON FRAME AND COVER FOR CIRCULAR PULLBOXES

NOTE: FRAME SHALL BE REVERSIBLE SO THAT IT CAN BE INSTALLED WITH FLANGE EITHER UP OR DOWN.

PULLBOX SIZE	DIMENSION										APPROXIMATE WEIGHT LBS.
	P	Q	R	S	T	U	V	W	X		
15"	13"	1 1/2"	11 1/4"	14 1/2"	20"	4"	5/8"	5/8"	1 1/2"	80	
18"	16"	1 1/2"	14 1/4"	17 1/2"	23"	4"	5/8"	5/8"	1 1/2"	115	
24"	22"	1 1/2"	20 1/4"	23 1/2"	30"	4"	5/8"	5/8"	1 1/2"	195	
30"	28"	1 1/2"	26 1/4"	29 1/2"	37"	4"	5/8"	5/8"	1 1/2"	270	



PULLBOX SIZE	DIMENSION				
	F	G	H	J	K
15"	3"	2"	C+2D	14 1/2"	8"
18"	3"	2"	C+2D	17 1/2"	8"
24"	5"	4"	C+2D	23 1/2"	8"
30"	5"	4"	C+2D	29 1/2"	8"

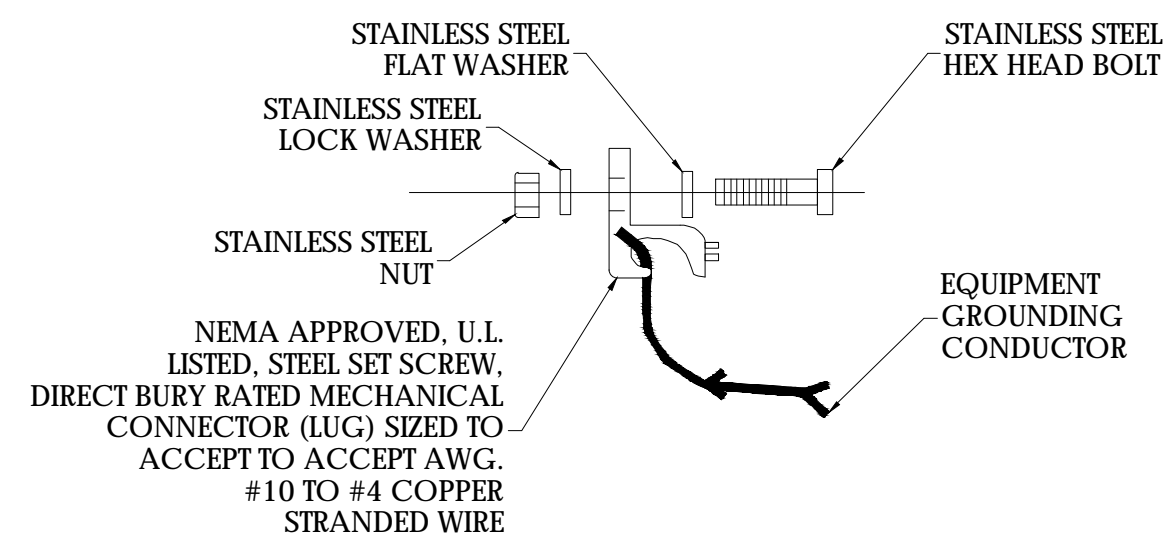


- NOTES:**
- EXTEND ANCHOR RODS, CONDUIT AND GROUND ROD.
  - FORM AND POUR POLE BASE CAP.
  - RE-INSTALL TRANSFORMER BASE.
  - CONDUCTORS MAY NEED TO BE REPLACED IF THERE IS NOT ENOUGH SLACK TO MAINTAIN 6" OF EXPOSED CABLE.
  - SCARIFY AND/OR REMOVE EXISTING TOP SURFACE OF POLE BASE TO SUFFICIENT DEPTH TO ACCOMMODATE THE NEW TOP POUR. PLACE SLURRY BOND COAT ON SURFACE PRIOR TO TOP POUR.

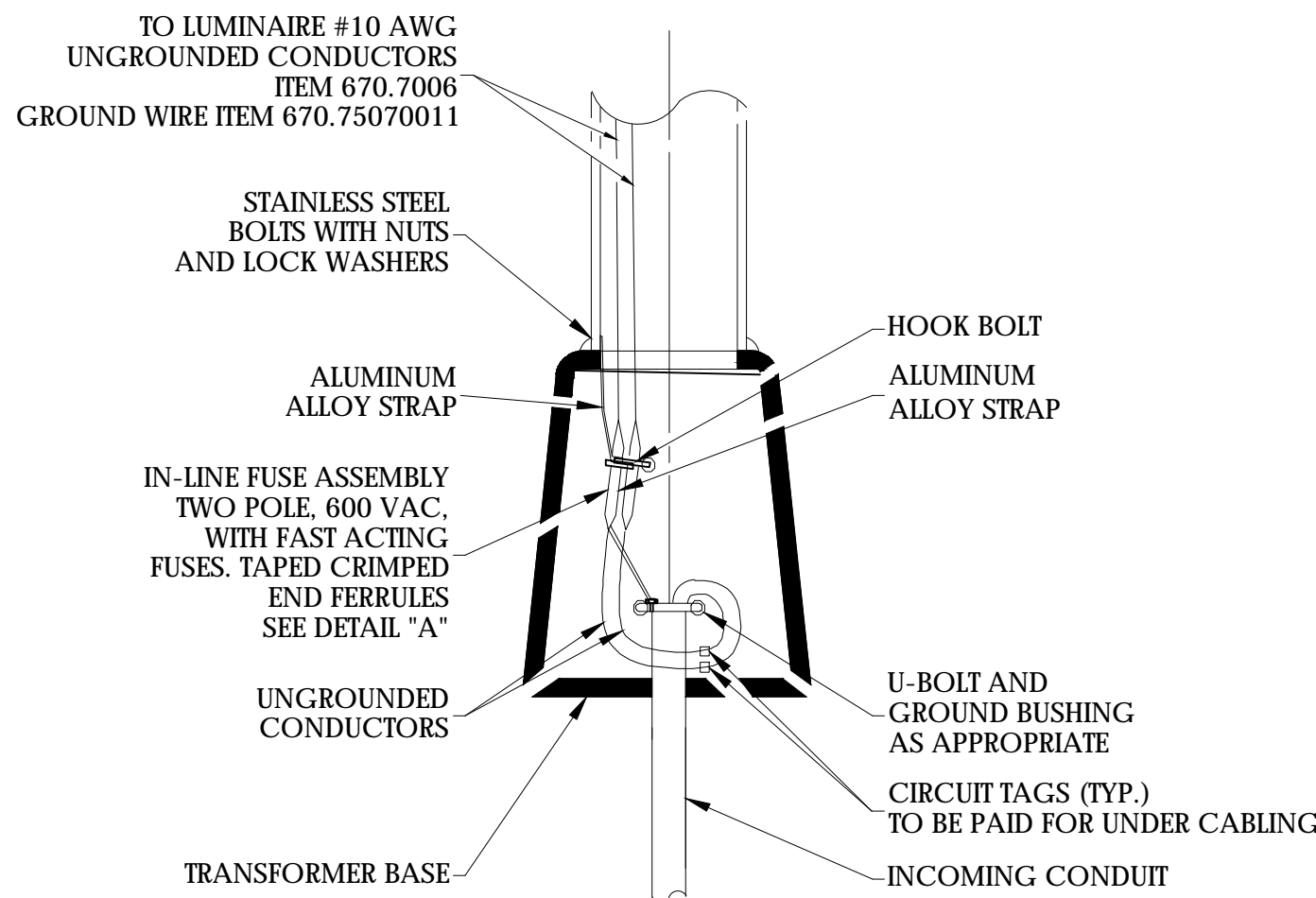
LIGHT POLE BASE EXTENSION DUAL CONDUIT

CONSULTANT		PROJECT MANAGER:		DRAWN BY:	
Consultant Address: Rochester, New York XXXX		MANAGER		DRAFTER	
(585) 867-5309 Fax: (585) 867-5309					
DEPARTMENT OF TRANSPORTATION		COUNTY ROAD #		PROJECT NAME	
50 WEST MAIN STREET, SUITE 6100 ROCHESTER, NEW YORK 14614-1231				LIMITS	
UNAUTHORIZED ALTERATION OR ADDITION TO THIS DRAWING IS A VIOLATION OF THE NEW YORK STATE EDUCATION LAW ARTICLE 145, SECTION 7209		TOWN		PROJECT LIMITS	
		CAPITAL PROJECT NO.		TOWN	
		XXXX-XX		XXXX-XX	
				LIGHTING	
				SCALE: NOT TO SCALE	
				DATE ISSUED: DATE	
				DRAWING NO.	
				4 OF XX	





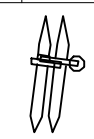
TYPICAL GROUNDING CONNECTIONS  
NOT TO SCALE



GROUNDING:

1. THE NORMAL GROUND ROD LOCATION IS NEAREST TO THE POLE OR CABINET, USE THE GROUND ROD INSTALLATION SHOWN.
2. METALLIC CONDUIT RUNS MAY BE BONDED TOGETHER TO SUPPLEMENT THE GROUND ROD PER SPECIFICATION.
3. SECTIONAL GROUND RODS WITH COUPLINGS SHALL NOT BE USED TO INCREASE ROD LENGTH.
4. THE GROUND ROD INSTALLATION SHALL BE PLACED IN THE PAVEMENT AND SHOULDERS.

FUSE HOLDER WATTAGE AND CURRENT VALUES	
LED WATTAGE	FAST ACTING FUSE (A) CURRENT LIMITING
208	10
200	10
133	5
91	5



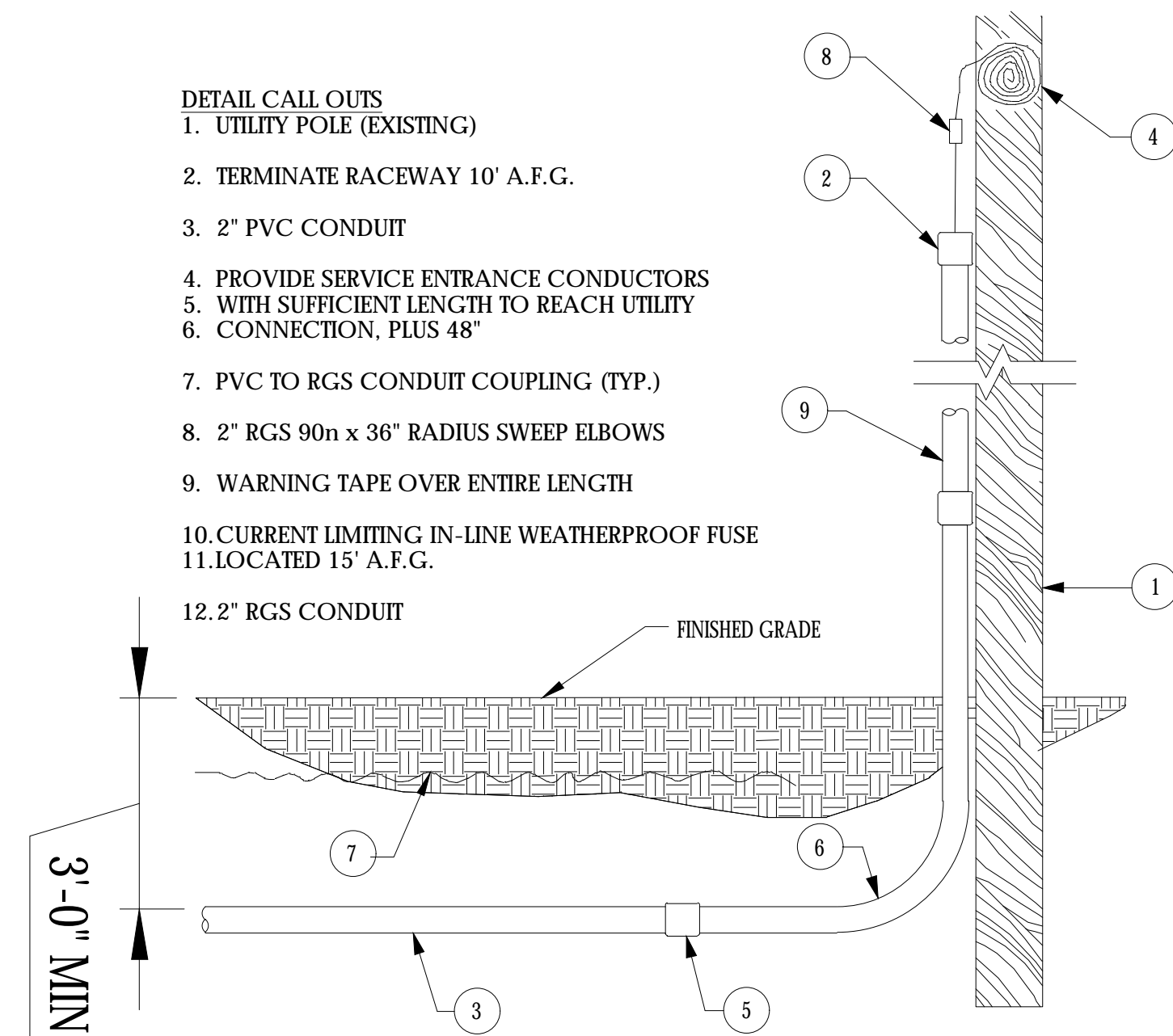
DETAIL "A"

BREAK AWAY DOUBLE POLE FUSE HOLDER WITH WATER PROOF INSULATING BOOT (SEE NOTE 2)

POWER WIRING DETAIL SECTION

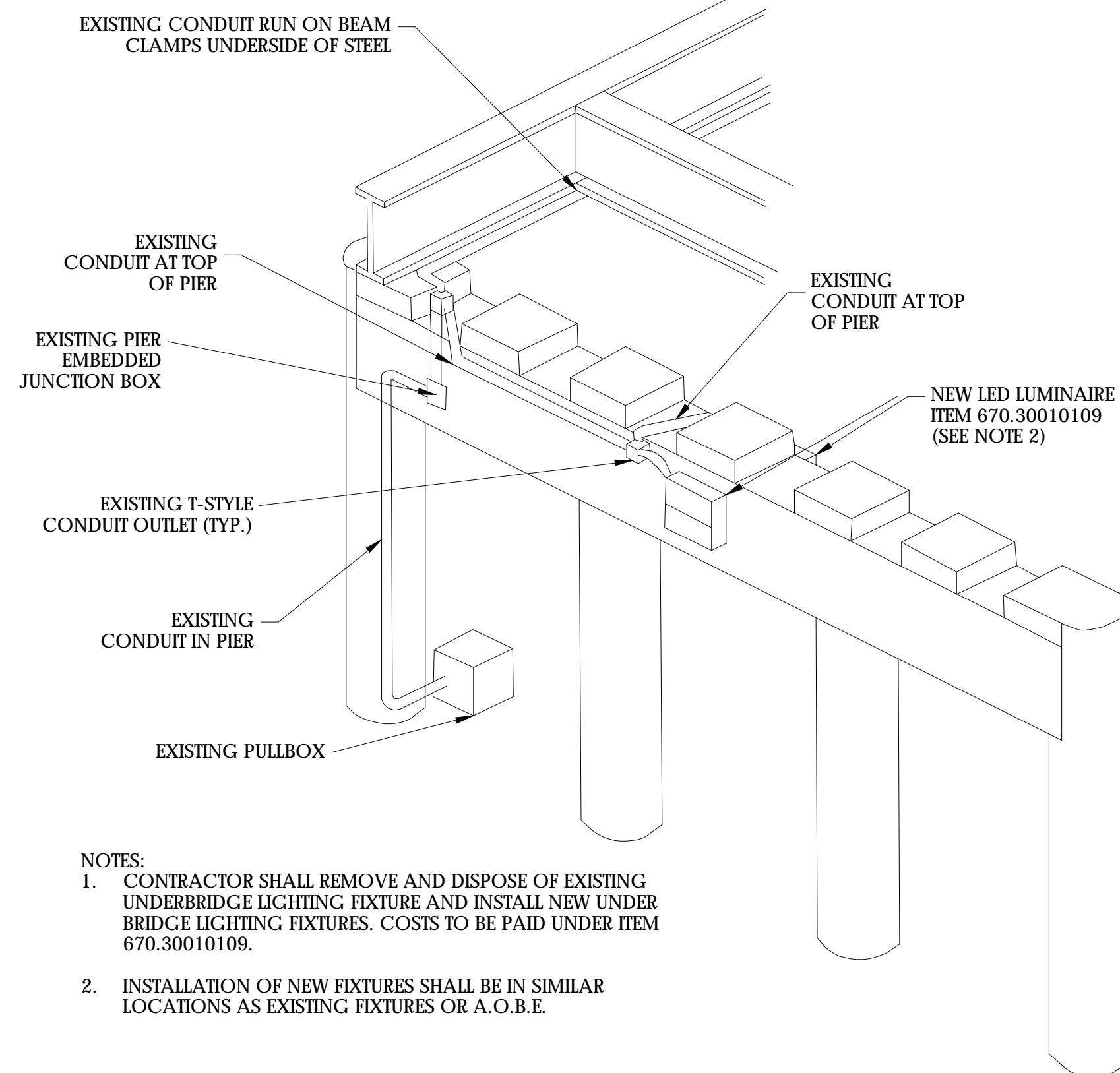
DETAIL CALL OUTS

1. UTILITY POLE (EXISTING)
2. TERMINATE RACEWAY 10' A.F.G.
3. 2" PVC CONDUIT
4. PROVIDE SERVICE ENTRANCE CONDUCTORS WITH SUFFICIENT LENGTH TO REACH UTILITY CONNECTION, PLUS 48"
5. PVC TO RGS CONDUIT COUPLING (TYP.)
6. 2" RGS 90n x 36" RADIUS SWEEP ELBOWS
7. WARNING TAPE OVER ENTIRE LENGTH
8. CURRENT LIMITING IN-LINE WEATHERPROOF FUSE LOCATED 15' A.F.G.
9. 12.2" RGS CONDUIT
10. FINISHED GRADE
11. 3'-0" MIN.



TYPICAL UTILITY POLE CONDUIT RISER

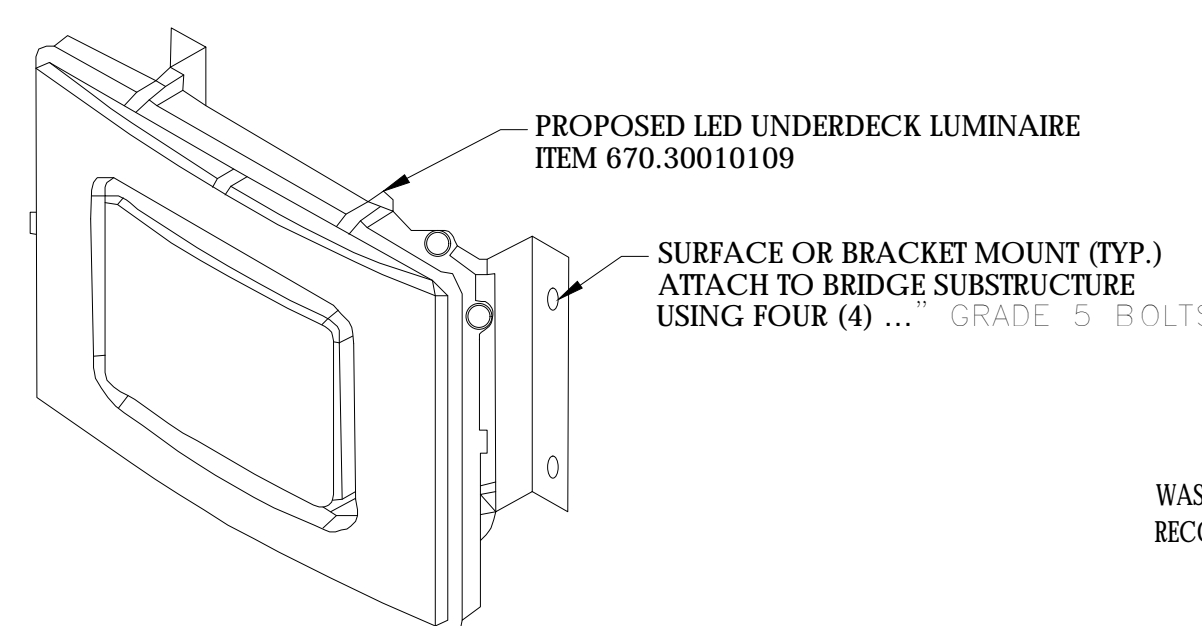
ITEM 680.700606



NOTES:

1. CONTRACTOR SHALL REMOVE AND DISPOSE OF EXISTING UNDERBRIDGE LIGHTING FIXTURE AND INSTALL NEW UNDER BRIDGE LIGHTING FIXTURES. COSTS TO BE PAID UNDER ITEM 670.30010109.
2. INSTALLATION OF NEW FIXTURES SHALL BE IN SIMILAR LOCATIONS AS EXISTING FIXTURES OR A.O.B.E.

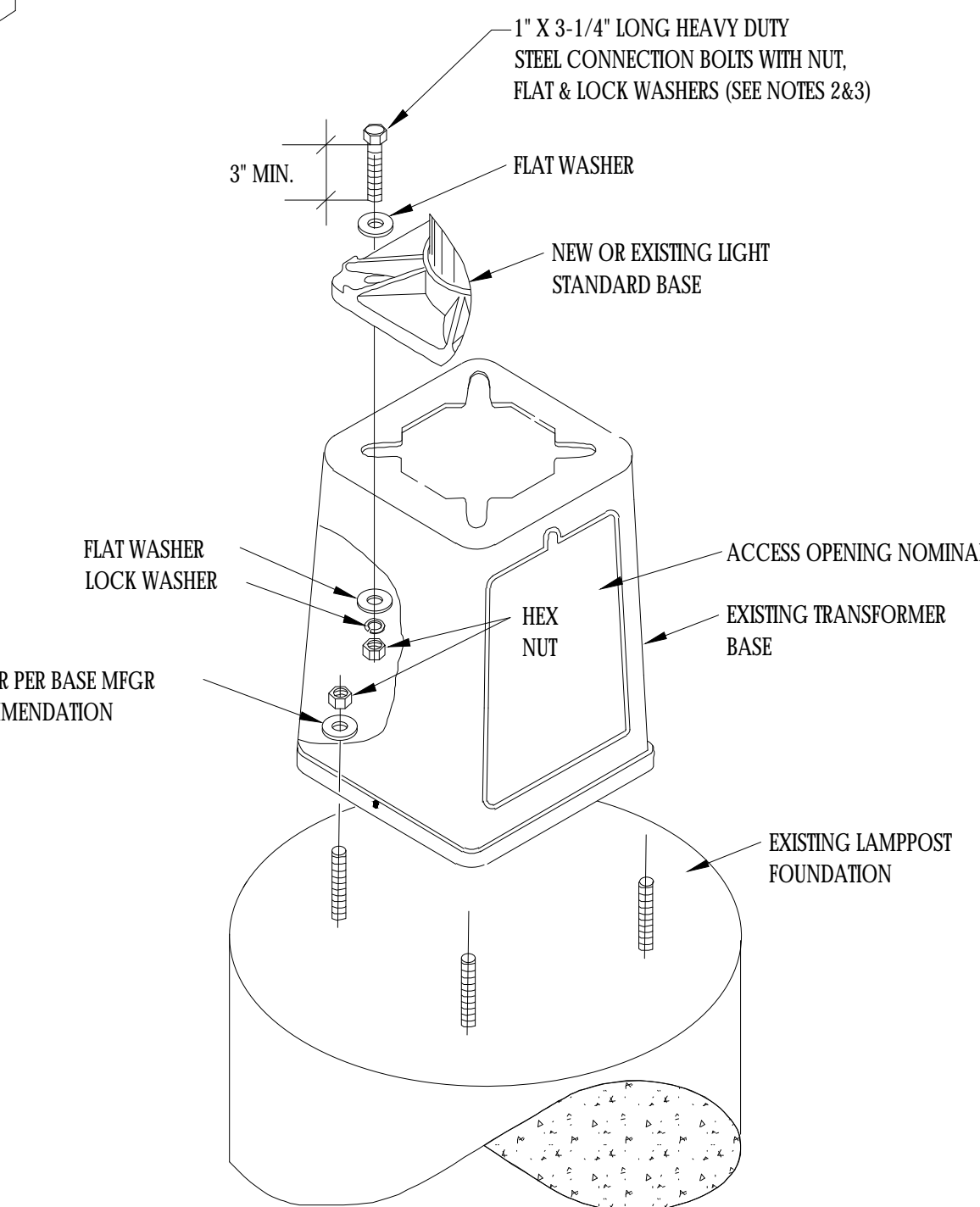
TYPICAL BRIDGE MOUNTED CONDUIT AND UNDERDECK LIGHTING INSTALLATION



NOTES:

1. REMOVE AND REPLACE UNDERBRIDGE LIGHT FIXTURE IN SIMILAR LOCATION. SEE UNDERBRIDGE LIGHTING FIXTURE TABLE ON LT-7 FOR ADDITIONAL INFORMATION.
2. COST FOR REMOVAL AND INSTALLATION OF FIXTURES TO BE INCLUDED IN ITEM 670.30010109 - MULTI-BAR LUMINAIRE UNDERDECK MOUNT.

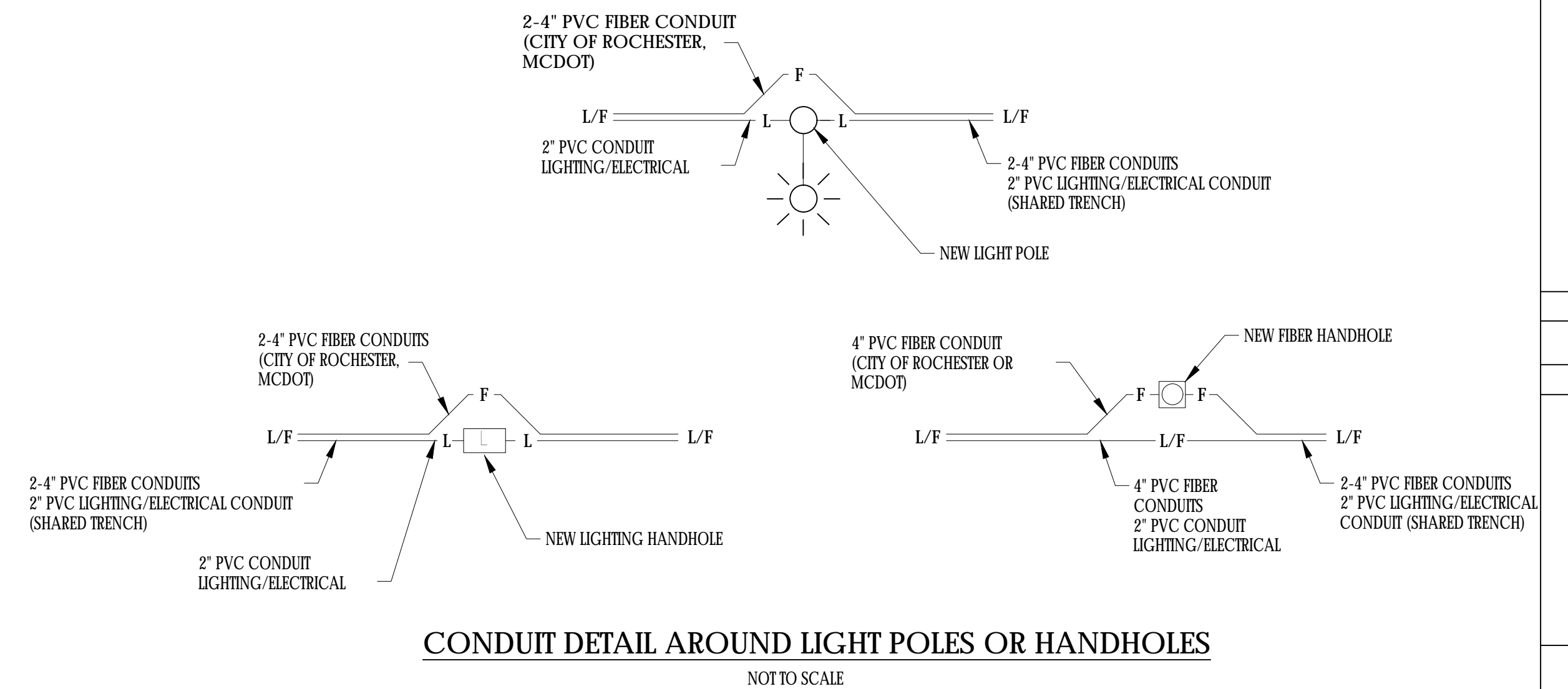
UNDERBRIDGE LIGHTING MOUNTING DETAIL



EXISTING TRANSFORMER BASE ISOMETRIC VIEW

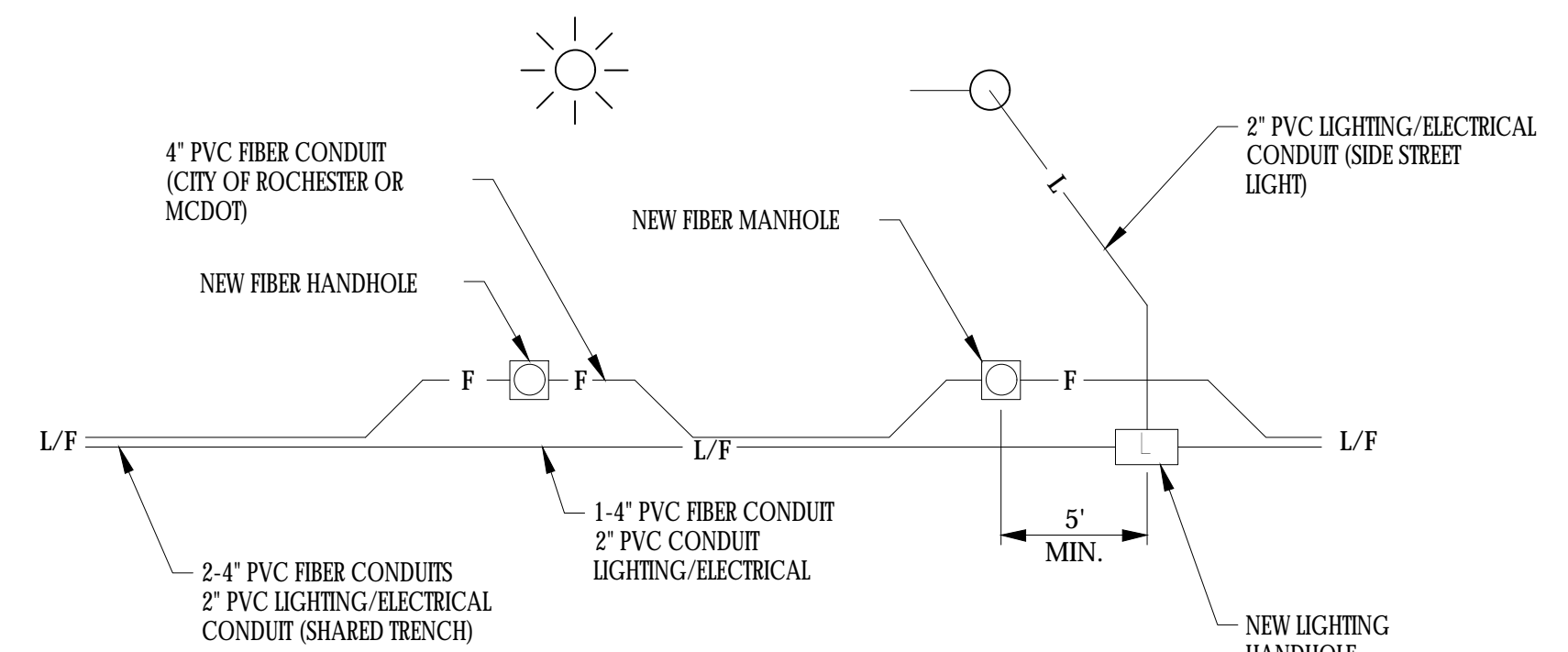
TRANSFORMER BASE NOTES:

1. THE FOLLOWING ITEMS ARE APPLICABLE TO THE "EXISTING TRANSFORMER BASE CONNECTIONS" DETAIL.
  - 1.1. ITEM 670.98000405 - HIGHWAY LIGHTING EQUIPMENT - REPLACE ANCHOR BOLTS, NUTS AND WASHERS AT TRANSFORMER BASE AND LIGHT STANDARD.
  - 1.2. ITEM 670.98000305 - HIGHWAY LIGHTING EQUIPMENT - REPLACE NUTS AND WASHERS AT FOUNDATION BASE.
2. NUTS AND WASHERS (NOT BOLTS) FOR RELOCATED LIGHT ASSEMBLY COMPONENTS MAY BE REUSED IF FOUND TO BE IN GOOD CONDITION. HARDWARE WHICH EXHIBITS SURFACE BROWNING OR ACTIVE CORROSION SHALL BE REPLACED IN KIND. PAYMENT FOR HARDWARE STORAGE AND/OR REPLACEMENT SHALL BE INCLUDED IN THE RELOCATION PAY ITEM.
3. HARDWARE FOR NEW LIGHT ASSEMBLY COMPONENTS SHALL BE NEW AND SHALL MEET THE REQUIREMENTS OF STANDARD SPECIFICATION SECTION 670-2 AND 670 SERIES NYS DOT STANDARD SHEETS. PAYMENT FOR THE HARDWARE IS TO BE INCLUDED IN THE VARIOUS LIGHTING ASSEMBLY COMPONENT ITEMS.
4. HARDWARE WHICH IS TO BE REUSED OR TIGHTENED SHALL HAVE THE BOLT AND NUT THREADS CLEANED, LUBRICATED WITH BEE'S WAX AND TORQUED TO 75% PROOF LOAD OR MANUFACTURERS RECOMMENDATIONS.
5. ANCHOR BOLTS FOUND TO BE OUT-OF-PLUMB (IN EXCESS OF 1:20) SHALL BE FITTED WITH A GALVANIZED, BEVELED, PLATE-WASHER TO PROVIDE FULL CONTACT WITH THE NUT FACE.
6. BOLT AND/OR NUT REPAIRS SHALL BE PERFORMED ONE-AT-A-TIME UNDER A MAXIMUM WIND SPEED OF 10 MPH. IF BRACKET ARMS ARE ATTACHED DURING BOLT AND/OR NUT REPAIRS, THE ARMS SHALL BE TEMPORARILY SUPPORTED TO ELIMINATE OVERTURNING FORCES ON THE BASE.



CONDUIT DETAIL AROUND LIGHT POLES OR HANDHOLES

NOT TO SCALE



STAGGERED HANDHOLE DETAIL

CONSULTANT		DRAWN BY: DRAFTER	
Consultant Address: Rochester, New York XXXX		PROJECT MANAGER: MANAGER	
(585) 867-5309 Fax: (585) 867-5309		NO. DATE BY:	
DEPARTMENT OF TRANSPORTATION		COUNTY ROAD #	
50 WEST MAIN STREET, SUITE 6100 ROCHESTER, NEW YORK 14614-1231		PROJECT NAME	
UNAUTHORIZED ALTERATION OR ADDITION TO THIS DRAWING IS A VIOLATION OF THE NEW YORK STATE EDUCATION LAW ARTICLE 145, SECTION 7209		PROJECT LIMITS	
		TOWN	
		CAPITAL PROJECT NO. XXXX-XX	
LIGHTING			
SCALE: NOT TO SCALE			
DATE ISSUED: DATE			
DRAWING NO. 6 OF XX			